



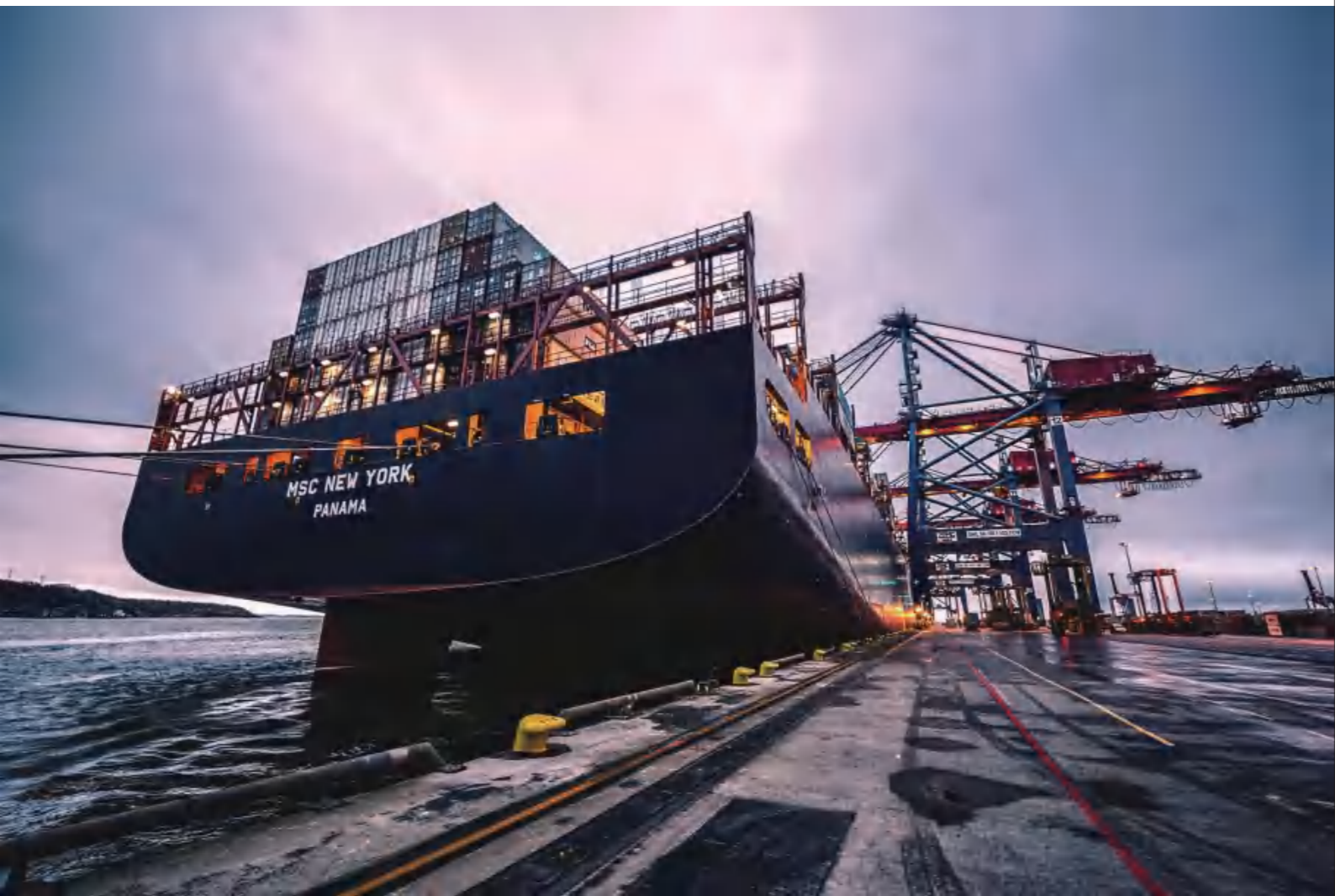
BROCHURE



中星海洋装备（青岛）有限公司
SINOSTAR MARINE EQUIPMENT CO., LTD.

Address: Building 1, No. 8B Hong Kong Middle Road, Qingdao, China.
中国·青岛香港中路8号乙中铁青岛中心1号楼
Email: sme@smeocean.com
Phone: 0086-532-66888282
Website: www.smeocean.com

中星海洋装备（青岛）有限公司
SINOSTAR MARINE EQUIPMENT CO., LTD.



CONTENT

●	About SME 企业简介	/03
●	Lashing Equipment Series 船用绑扎系列	/07
●	Chain Sling Series 链条索具系列	/15
●	Rigging and Chain Accessories 链条索具配件系列	/20
●	Rigging Fittings Series 五金索具配件系列	/29



Company

Sinostar Marine Equipment (Qingdao) Co., Ltd. (Sinostar), a marine equipment specialist founded in 2019. Our product lines range from the full line of anchors, anchor chains, accessories as well as other customized marine equipment.

Sinostar has many deep-cooperated manufacturers which have nearly 20 years of experience in the production, integrating R&D, design, and customization. Sinostar is specializing in various specifications of anchor chains, marine mooring chains and accessories, and also in the non-standard anchor chains and accessories. Our products quality has been approved by all major Classification Societies in the world such as ABS, LR, BV, DNV, NK, KR, CCS, RINA, RMRS, IRS, CR, etc.

Sinostar products are exported to more than 50 countries and regions. Relying on the mature research and development experiences, high-quality products and unmatched supports, Sinostar is highly praised and deeply trusted by customers. We pride ourselves on the ability to customize solutions to our customers' needs. With the promise of distinguished customer service and efficient marine equipment solutions, we make the difference.

中星海装装备（青岛）有限公司成立于2019年，作为海洋装备专家，我们的产品线涵盖了全系列的锚、锚链、配件以及其他定制的海洋设备。中星海装拥有多家深度合作的制造商，有近20年的生产经验，集研发、设计、定制、生产于一体。SME专业生产各种规格的锚链、船用系泊链及配件，也可根据客户图纸生产非标准锚链及配件。

我们的产品质量已获得世界上所有主要船级社的认可，如ABS、LR、BV、DNV、NK、KR、CCS、RINA、RMRS、IRS、CR等。

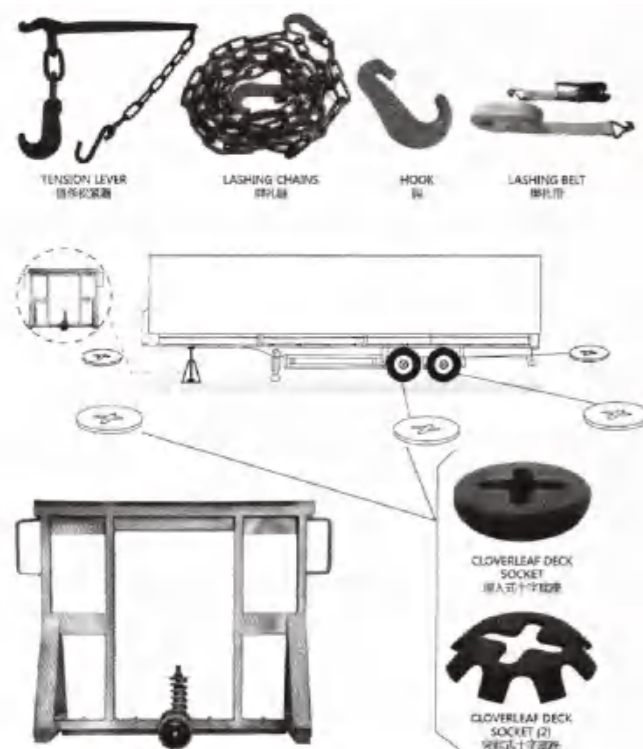
中星海装的产品出口到全球50多个国家和地区。凭借成熟的研发经验、优质的产品和无与伦比的支持，中星海装深受国外客户好评和信赖。我们为能够根据客户需求定制解决方案而感到自豪。卓越的客户服务和高效的船舶设备解决方案，让我们脱颖而出，与众不同。



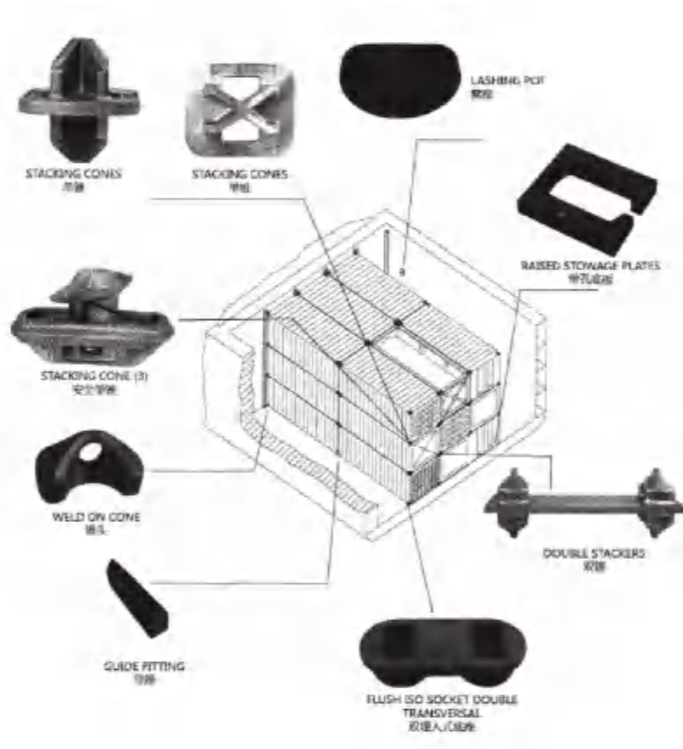
Lashing Equipment 船用绑扎系列

Lashing securing 绑扎紧固系统

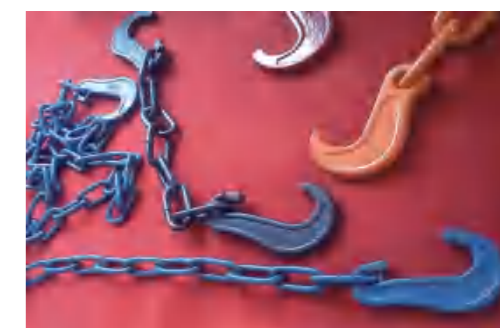
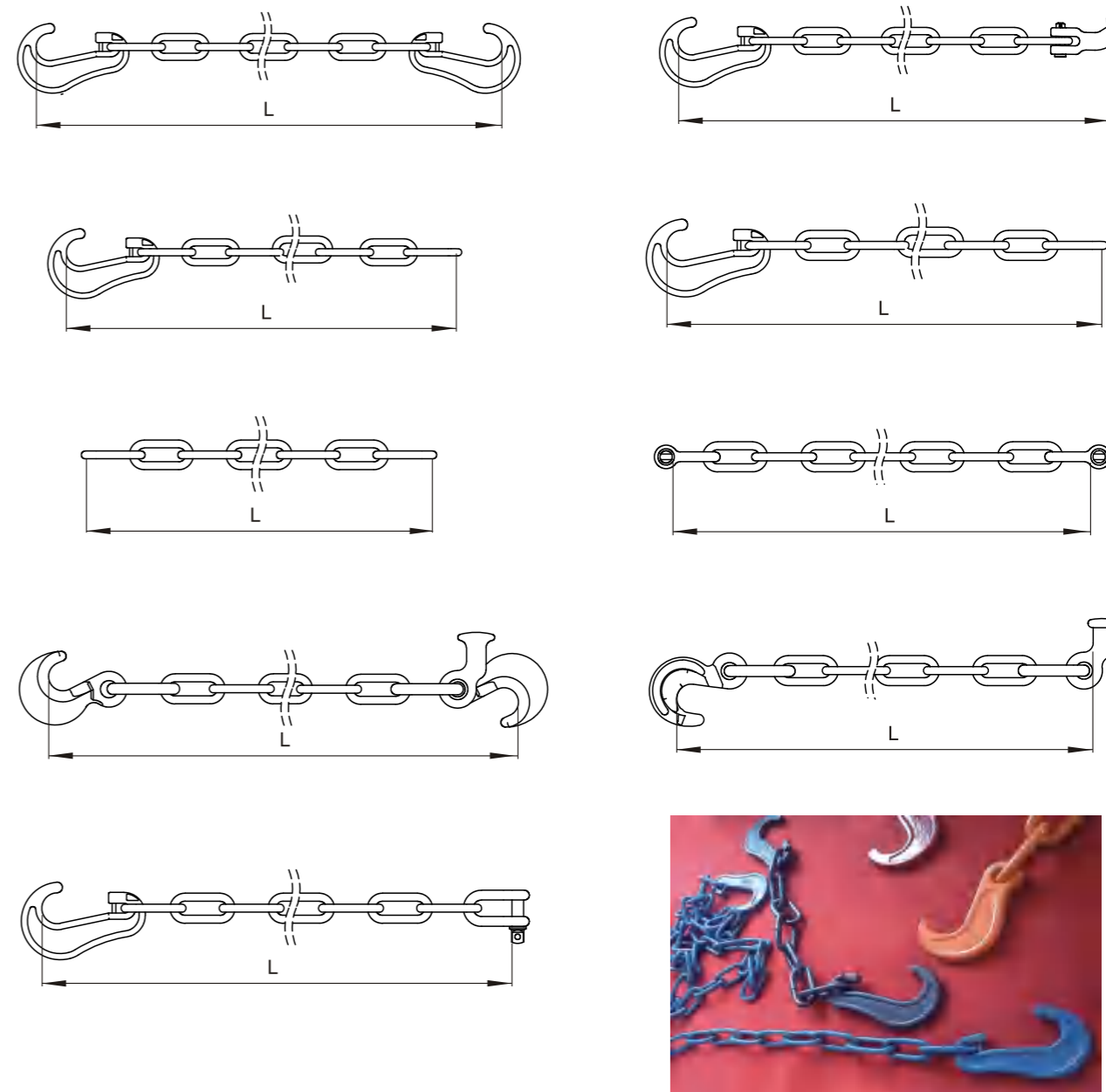
Roro 滚装船



In Hold 舱内

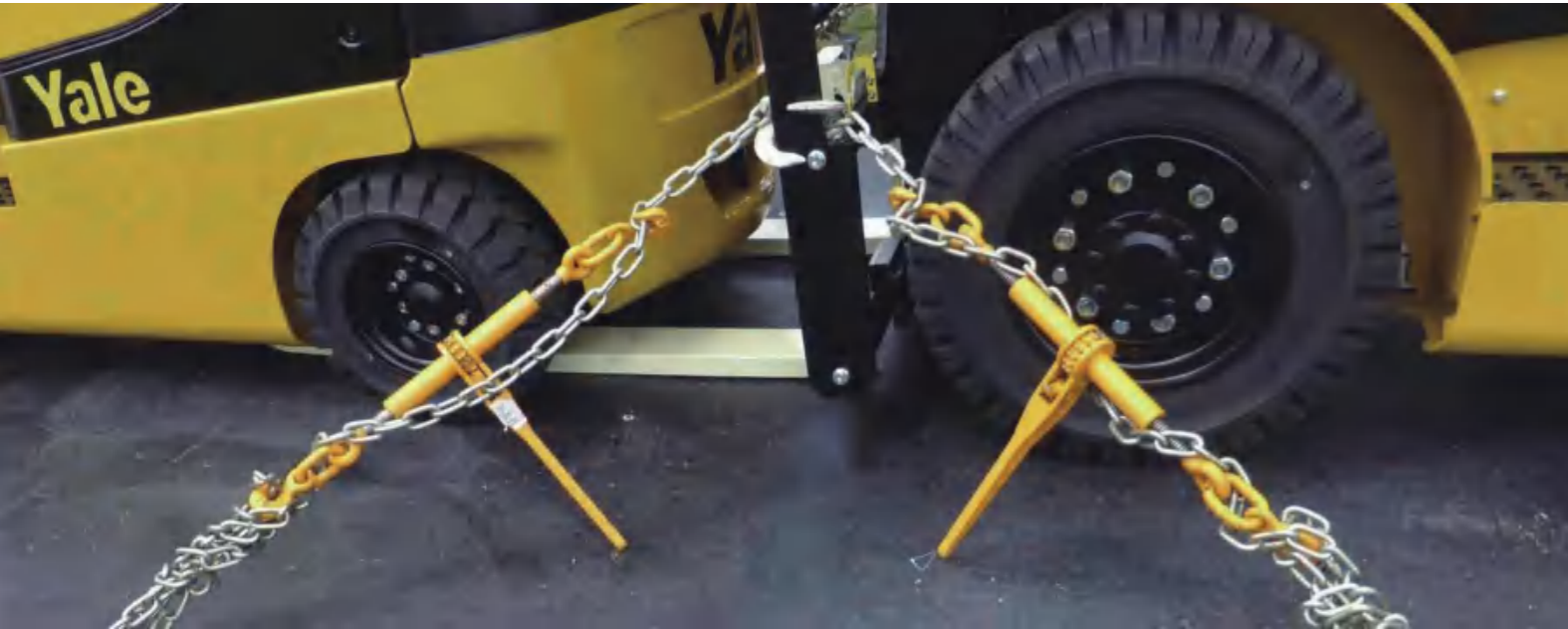


Lashing chain 绑扎链

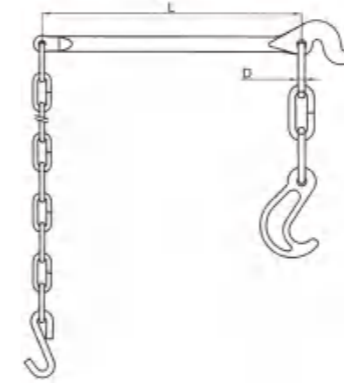


Specifications:
 Classification: All items are approved by major classification societies
 Materials: Forged steel & high tensile steel
 Finish: Painted
 Remark: Other dimensions, materials and finish upon request

DIA	L	W	B.L.	Weight/M
13mm	80mm	22mm	200kn	3kg
11mm	65mm	20mm	150kn	2.2kg
9mm	56mm	15mm	100kn	1.6kg



Tension lever 横担钩



Specifications:

Classification: All items are approved by major classification societies

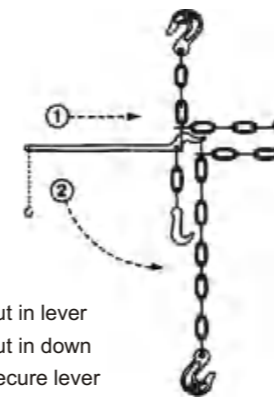
Materials: Forged steel & High tensile steel

Finish: Painted

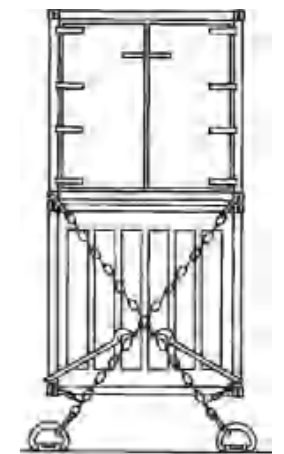
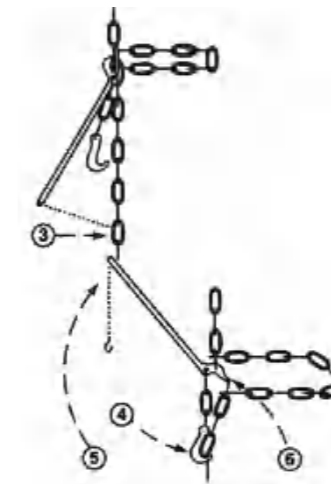
Remark: Other dimensions, materials and finish upon request

D	L	B.L.	Weight
14mm	485	200KN	6kg
13mm	496	150KN	4.5kg
12mm	480	100KN	4kg

Instructions of use



1. Put in lever
2. Put in down
3. Secure lever



Load binders 紧索具



Orange tensioner



Standard lever type load binder



Standard ratchet type load binder



Snubber spring load binder

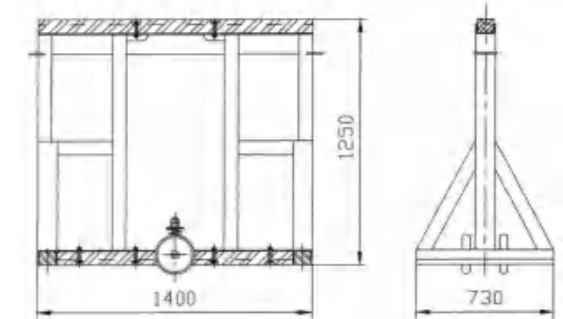


Anti lock load binder



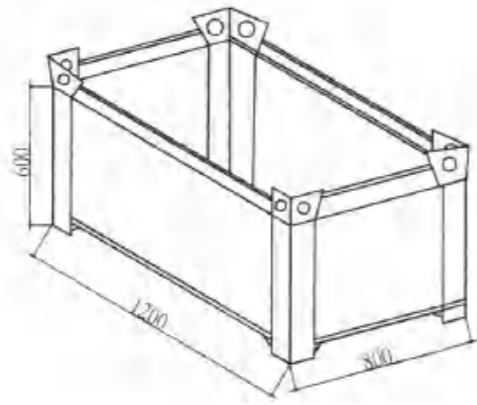
Steam boat ratchet

Trailer trestle 托架



Bin 周转箱

Bin For Lashing Materials
 Weight: 90kg
 Material: Steel Profiles
 Finish: Hot Dip Galvanized or Painted



D Rings D型环



D ring with strap, Type A



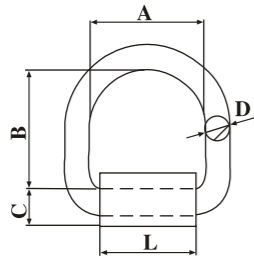
D ring with strap, Type B



D ring with strap, Type C

D-Rings with wraps D形环 (带座)

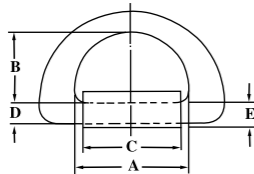
- Forged Carbon Steel
- Normalizing



Size A × B × D	Dimensions(mm)		M.B.S (lbs)	Weight (kgs)
	L	C		
2 1/4" × 2 1/2" × 1/2"	44.8	15.5	12,000	0.425
3" × 3" × 5/8"	63	23.4	18,000	0.85
3" × 3" × 3/4"	63	25.4	26,500	1.225
3" × 3" × 1"	64	30.8	47,000	1.91
3" × 4" × 1"	64	30.8	47,000	2.15

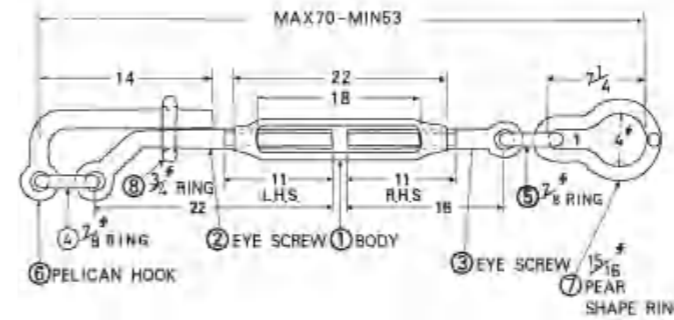
D-Rings D形环

- Forged Carbon Steel
- Quenched & Tempered



Size (mm)	Dimensions(mm)					M.B.S (tons)	Weight (kg)
	A	B	C	D	E		
21	136	80	120	21	25.5	36	2.46
25	144	88	125	25	30	41	3.7
27	151	9	130	27	32	50	4.41

Decklashing turnbuckles 捆绑花兰



Material: Drop forged high tensile steel
Standard: Formerly U.S. Federal Specification FF-C-450D
Finish: Hot dipped galvanized
Certificated: A works certificated can be supplied upon request.

diameter wire rope	diameter bow	length bow	width inside	length thread	length base	thickness base	height base	Weight per 100pcs
inches	a mm	b mm	c mm	d mm	e mm	f mm	g mm	kg
1/4	8	34	19	13	37	30	18	8
5/16	10	45	22	19	43	33	19	14
3/8	11	49	26	19	49	42	25	19

Wire rope sling 钢丝绳索具



Label of eligible products
合格产品挂牌



Breaking force test result
破坏性实验结果



PA-Z heavy ring sling head
PA-Z 重型环索头



PA-T common ring sling head
PA-T 普通环索头

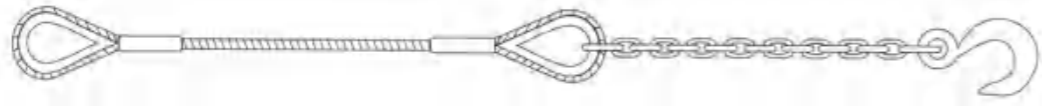


PA press sling head
PA 压制索头



AS splice sling head
AS 插编索头

Stonework chain assembled rigging 石材链条组合索具



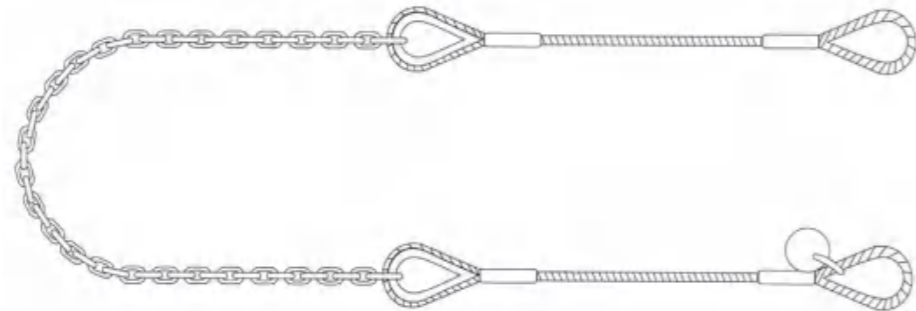
Deformed steel bar chain assembled sling 螺纹钢链条组合索具



Deformed steel bar sling 螺纹钢吊索



Special sling for billet 钢坯专用吊索

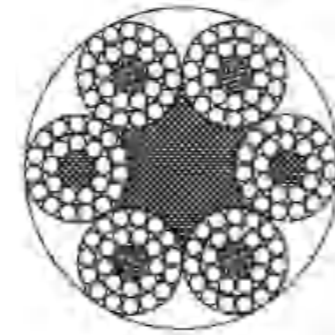


Wire rope sling series product code instruction 钢丝绳索具系列产品编码说明

P a b D c — N d e

- e取值: D=镀锌, 无字母=不电镀处理 Value of e: D=galvanization, no letter=no electroplating treatment
- d取值: H=钩式, 无字母=无钩 Value of d: H=hook, no letter=no hook
- N取值: 1=单肢成套, ...N=N肢成套, 无N=非成套索具 Value of N: 1=a set of sling with single limb, ...
- N=a set of sling with N limbs, no N=non-multi-sling
- D为直径, 单位mm; c取值: 勤: 无字母=纤维芯, G=钢芯 Dis diameter, unit: mm;
- Value of c: no letter=fiber core, G=steel core
- b取值: T=普通鸡心环, Z=重型套环, 无字母=无套环 Value of b: T=U-clamp, Z=heavy ferrule, no letter=no ferrule
- a取值: A=直模铝套, B=直模钢套, C=直模铜套, D=锥模铝套, E=锥模钢套, F=锥模铜套
- Value of a: A=straight mould aluminum sleeve, B=sraight mould steel sleeve,
- C=straight mould copper sleeve, D=come mould aluminum sleeve, E=cone mould steel sleeve,
- F=cone mould copper sleeve

Steel Wire rope 钢丝绳



6×24+7FC



6×15+7FC

钢丝绳公称直径/mm	参考重量 / (kg/100m)		钢丝绳公称抗拉强度 / MPa			
	天然纤维芯钢丝绳	合成纤维芯钢丝绳	1570	1670	1770	1870
8	20.4	19.5	26.3	28.1	29.9	31.7
9	25.8	24.6	33.3	35.6	37.9	40.1
10	31.8	30.4	41.2	44.0	46.8	49.6
11	38.5	36.8	49.8	53.2	56.6	60.0
12	45.8	43.8	59.3	63.3	67.3	71.4
13	53.7	51.4	69.6	74.3	79.0	83.8
14	62.3	59.6	80.7	86.2	91.6	97.1
16	81.4	77.8	105	133	120	127
18	103	98.5	133	142	152	161
20	127	122	165	176	187	198
22	154	147	199	213	226	240
24	183	175	237	253	269	285
26	215	206	278	297	316	335
28	249	238	323	345	367	389
30	286	274	370	396	421	446
32	326	311	421	450	479	507
34	368	351	476	508	541	573
36	412	394	533	570	606	642
38	459	439	594	635	675	716

钢丝绳公称直径/mm	参考重量 / (kg/100m)		钢丝绳公称抗拉强度 / MPa			
	天然纤维芯钢丝绳	合成纤维芯钢丝绳	1470	1570	1670	1770
10	20.0	18.5	26.5	28.3	30.1	31.9
12	28.8	26.6	38.1	40.7	43.3	45.9
14	39.2	36.3	51.9	55.4	58.9	62.4
16	51.2	47.4	67.7	72.3	77.0	81.6
18	64.8	59.9	85.7	91.6	97.4	103
20	80.0	74.0	106	113	120	127
22	96.8	89.5	128	137	145	154
24	115	107	152	163	173	184
26	135	125	179	191	203	215
28	157	145	207	222	236	250
30	180	166	238	254	271	287
32	205	189	271	289	308	326

注: 最小钢丝绳破断拉力总和=钢丝绳最小破断拉力×1.136。



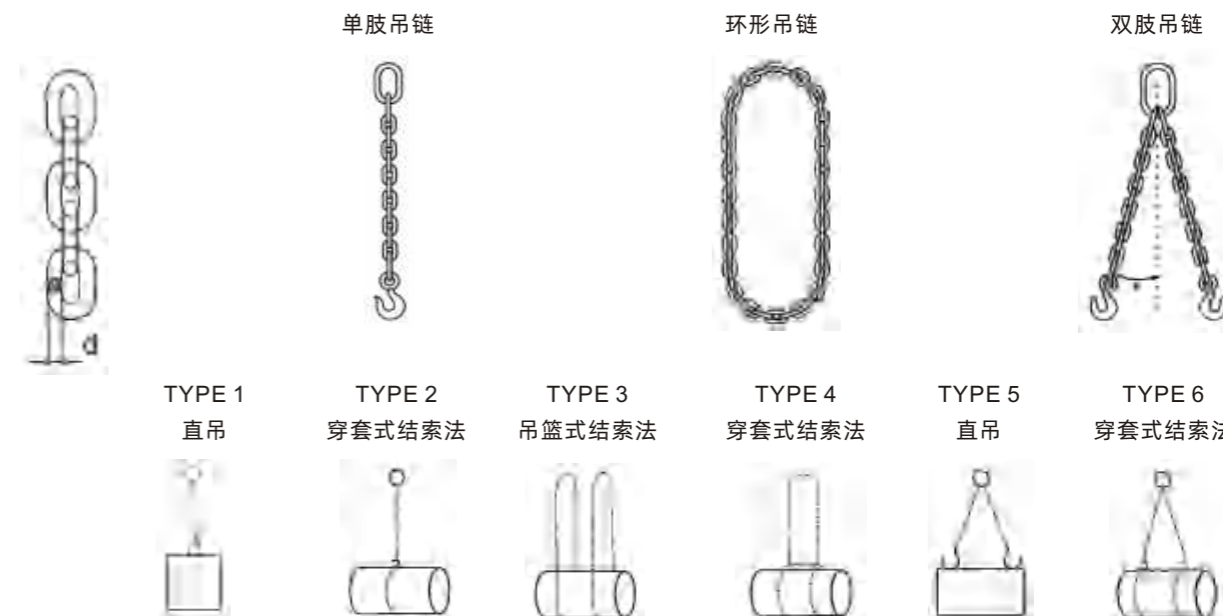
Chain Sling

链条索具系列

Chain sling is linked by metal chains, which can be divided into two types: welded and assembled chain sling. Meanwhile, it can be divided into single limb and multi-limb in terms of structure. It is made of premium alloy steel with good wear-resisting quality, high strength and long service life and subjected to bending. The sling is adapted to use in large-scale and frequent occasions. Moreover, it also features with radiation-resisting, high-temperature-resisting (-40~200°C), which can be applied in hoisting of hot billet and coiled steel. The flexible multi-limb structure and multiple assembling forms can improve the work efficiency and reduce the cost.

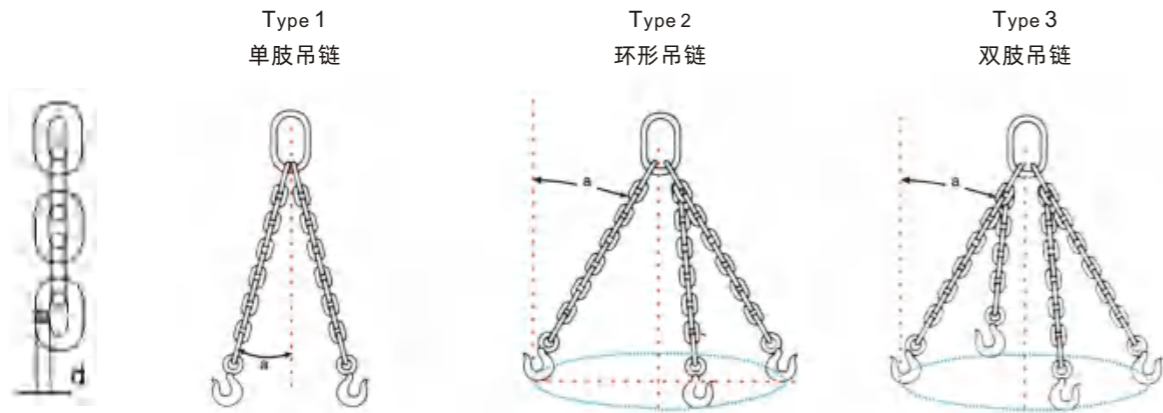
链条索具是以金属链环连接而成的索具，按其形式分主要有焊接和组装两种，按其构造分有单肢和多肢等，采用的是优质合金钢，耐磨性好、强度高、使用寿命长、易弯曲。适合大规模、频繁使用的场合；其还具有耐辐射高温（-40~200°C）特点，亦适用于热钢坯、卷钢吊运。灵活的多肢、多种组合形式，可提高工作效率、降低成本。

G80 Chain sling Unit: t
吊链直吊和捆绑吊起重载荷 级别: 80级 单位: t



比例因数	d(mm)				a		a	
	1	0.8	4	1.6	0° ~ 45°	45° ~ 60°	0° ~ 45°	45° ~ 60°
					1.4	1.0	1.12	0.8
6	1.0	0.8	4	1.6	1.4	1.0	1.1	0.8
8	2.0	1.6	8	3.2	2.8	2.0	2.0	1.6
10	3.2	2.5	12.5	5.0	4.5	3.2	3.6	2.5
11	3.8	3	15.2	6	5.3	3.8	4.1	3
12	4.6	3.6	18.4	7.3	6.5	4.6	5.2	3.6
12.5	5	4	20	8	7	5	5.5	4
13	5.3	4.2	21.2	8.4	7.4	5.3	5.8	4.2
14	6.2	5.0	24.8	9.9	8.7	6.2	6.9	5.0
15	7	5.6	28	11.2	9.8	7	7.7	5.6
16	8	6.4	32	12.8	11.2	8	8.8	6.4
18	10.0	8.0	40	16.0	14.0	10.0	11.0	8.0
19	11.3	9	45.2	18	15.8	11.3	12.4	9
20	12.5	10	50	20	17.5	12.5	13.7	10
22	15.0	12.0	60	24.0	21.2	15.0	17.0	12.0
24	18.0	14.4	72	28.8	25.2	18.0	20.2	14.4
26	21.3	17.0	85.2	34.1	29.8	21.3	23.4	17.0
30	28.2	22.6	112.8	45.1	39.5	28.2	31.6	22.6
32	32.1	25.6	128.4	51.3	44.9	32.1	35.3	25.6
34	36.2	28.9	144.8	57.9	50.7	36.2	40.5	28.9
36	40	32	160	64	56	40	44	32
38	45.3	36.2	181.1	72.4	63.4	45.3	49.8	36.2
42	55.5	44.4	222	88.8	77.7	55.5	61	44.4

G80 Chain sling Unit: t
 吊链按均匀计算的起重载荷 级别: 80级 单位: t



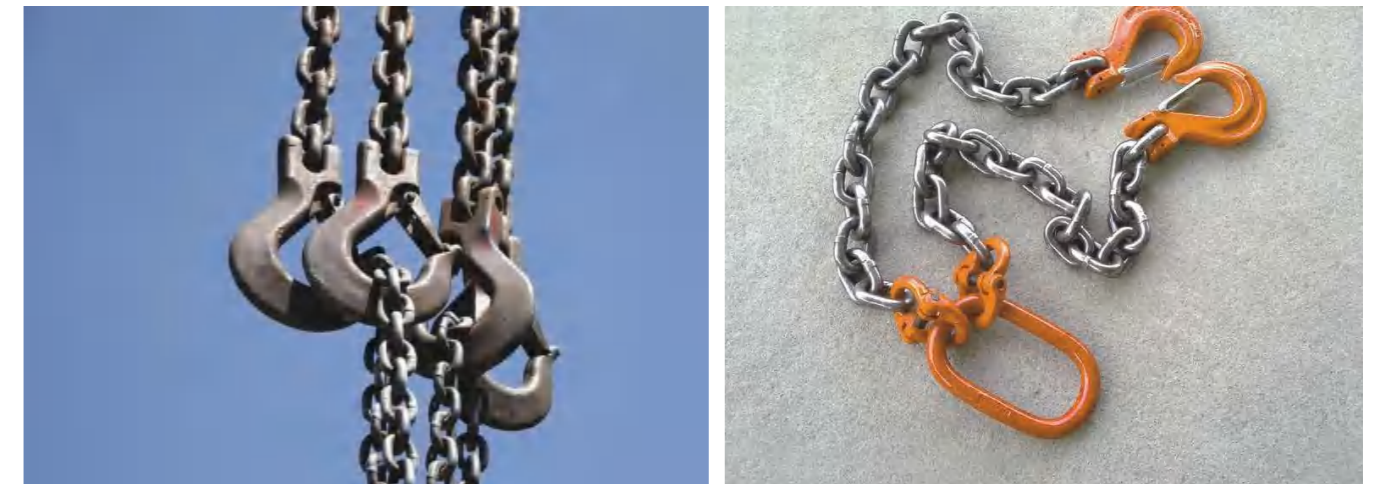
d(mm)

比例因数	a 0° ~ 45°	a 45° ~ 60°	a 0° ~ 45°	a 45° ~ 60°	a 45° ~ 60°	a 45° ~ 60°
	1.4	1	2.1	1.5	2.1	1.5
6	1.5	1.1	2.3	1.6	2.3	1.6
8	2.8	2.0	4.2	3.0	4.2	3.0
10	4.4	3.2	6.7	4.8	6.7	4.8
11	5.3	3.8	7.9	5.7	7.9	5.7
12	6.4	4.6	9.6	6.9	9.6	6.9
12.5	7	5	10.5	7.5	10.5	7.5
13	7.4	5.3	11.1	7.9	11.1	7.9
14	8.8	6.3	13.2	9.5	13.2	9.5
15	9.8	7	14.7	10.5	14.7	10.5
16	11.2	8	16.8	12	16.8	12
18	14.0	10.0	21.0	15.0	21.0	15.0
19	15.8	11.3	23.7	16.9	23.7	16.9
20	17.5	12.5	26.2	18.7	26.2	18.7
22	21.3	15.3	32.0	22.9	32.0	22.9
24	25.2	18.0	37.8	27.0	37.8	27.0
26	30.2	21.6	45.3	32.4	45.3	32.4
30	39.5	28.3	59.3	42.4	59.3	42.4
32	44.8	32	67.2	48	67.2	48
34	50.7	36.3	76.1	52.4	76.1	52.4
36	56	40	84	60	84	60
38	63.4	45.3	95.1	67.9	95.1	67.9
42	77.7	55.5	116.5	83.2	116.5	83.2

With delta ring & eye grab hook



Delta Ring Size	Enlarged Link Size	Chain Size & Grade	Qty of Chain Grade	Hook Size & Grade	Breaking Load (lbs)	Length	Unit Weight (kg/pc)	Packing (pc/bag)
A	B1/B2	C		D				
2 "	3/8 "	1/4 " G70	14	5/16 " G43	10000	18 "	0.90	50
2 "	3/8 "	5/16 " G43	11	3/8 " G43	10000	18 "	1.18	50
3 "	7/16 "	5/16 " G70	10	5/16 " G70	16200	18 "	1.32	35
3 "	7/16 "	5/16 " G70	10	3/8 " G43	16200	18 "	1.48	35
3 "	7/16 "	3/8 " G43	5	3/8 " G43	16200	18 "	1.28	35
3 "	7/16 "	3/8 " G43	9	3/8 " G43	16200	18 "	1.68	35
4 "	7/16 "	3/8 " G70	9	3/8 " G70	20000	18 "	1.94	35



Assembling form of a set of chain sling 链条成套索具组合形式

Specializes in supplying high-tension chain and a set of chain sling to satisfy different hoisting demands.
专业提供高强度链条及链条成套索具，来满足客户不同的吊装需求。



A set of chain sling with one/two/three/four limbs
一、二、三、四肢成套索具



Binding sling with double limbs
双肢捆绑式吊具



Double-limb sling with ring, hook and clamp
双肢索具吊环、吊钩及链条夹紧器

Three-limb sling with ring, connecting piece and hook
三肢索具带吊环、连接件及吊钩

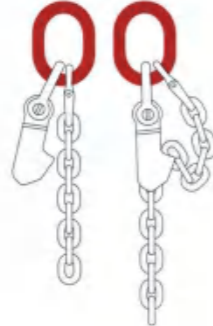
Four-limb sling with ring, connecting piece and hook
四肢索具带吊环、连接件及吊钩



Steel sling with double limbs
双肢钢材吊索



Adjustable binding sling
可调式捆绑索具



Chain adjuster
链条调节器



Chain binding sling
链条捆绑索具



Special adjustable sling
可调式特种吊具



Two-terminal sling with single limb
单肢索具两端带



Rigging and Chain accessories 链条索具配件系列

Links 环类

Connecting links 和双环扣的连接



Connecting links are universal. They can be used together with chain, master links, hooks and other lifting components as well wire ropes.

Connecting links are simple assembled and can be disconnected if required. Taking just a few minutes, the only tools needed are a punch.

Connecting links are made from quenched and tempered alloy steel for high tensile strength and wear resistance.

Cupling links have a smooth surface to avoid snagging. The heavy duty retaining bush with its well protected square-sectioned spring ensures high reliability and safety.

Coupling links are available for Working Load Limit from 1.12 to 31.5 tonnes.

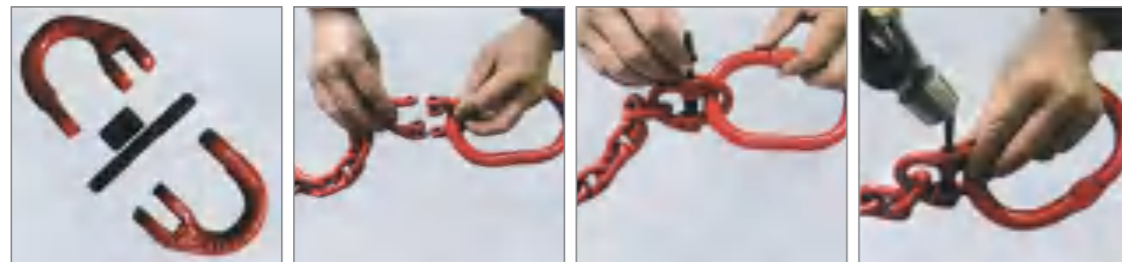
双环扣用途很广泛。可与钢丝绳、链条、强力环、钩子或其它起吊部件互配使用。

双环扣方便组装，可根据需要拆卸。只需几分钟的时间，唯一需要的工具就是锤子。

双环扣是由退火或淬火后的合金钢制造而成的，具有很强的拉力和抵抗磨损的能力。

双环扣的光滑表面可防止出现装配障碍。钢套有一个四方形的弹簧，可增加可靠性和安全性。双环扣的工作载荷可从1.12达到31.5T。

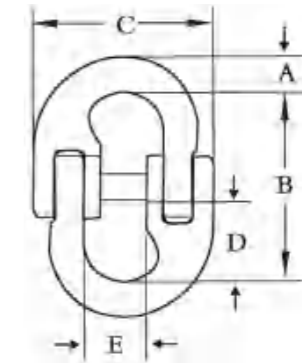
Assembly method 装配方法



Alloy connecting link



A-336



Grade 60

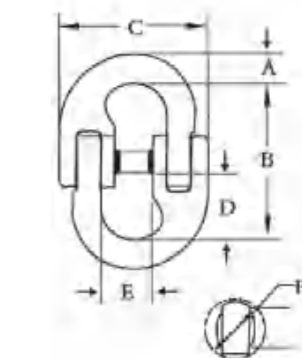
MBS=4×WLL

Chain Size (in.)	Working load limit(1bs)	Weight Each (1bs)	Dimensions (in.)					Dia. hole to Accept link
			A	B	C	D	E	
1/4	3250	.25	2.06	2.06	.78	.78	.78	.50
3/8	6600	.60	2.72	2.72	1.06	1.06	1.09	.66
1/2	11250	1.25	3.34	3.34	1.28	1.28	1.41	.88
5/8	16500	2.30	3.91	3.91	1.56	1.56	1.69	1.06
3/4	23000	4.00	4.84	4.84	1.97	1.97	2.00	1.19
7/8	28750	5.75	5.81	5.81	2.38	2.38	2.12	1.38
1	38750	8.00	6.48	6.48	2.84	2.84	2.55	1.47
1 1/4	57500	15.00	8.48	8.48	3.77	3.77	3.77	1.73

Alloy connecting link



A-337



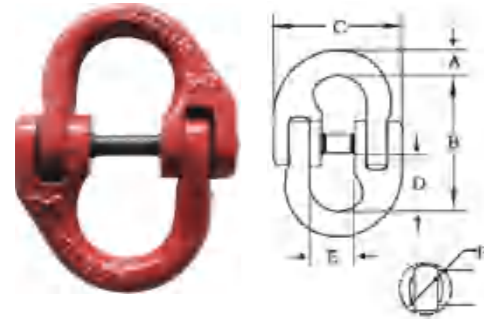
Grade 80

MBS=4×WLL

DIA. (Min hole diameter required to pass eye during assembly)

Chain Size		Weight Each (1bs)	Working load limit(1bs)	Dimensions (in.)					
(in.)	(mm)			A	B	C	D	E	F
9/32(1/4)	7	.29	3500	.36	1.88	.75	.81	.64	.63
5/16	8	.67	4500	.42	2.13	.97	.91	.69	.63
3/8	10	.56	7100	.48	2.50	.50	1.06	.88	.84
1/2	13	1.06	12000	.64	3.44	3.22	1.49	1.13	1.06
5/8	16	2.43	18100	.75	4.13	3.78	1.79	1.41	1.25
3/4	20	4.20	28300	.89	4.62	4.62	1.77	1.59	1.28
7/8	22	6.80	34200	1.05	5.97	5.59	2.45	1.86	1.44

Grade 80 connecting link,(Hammer Locks)

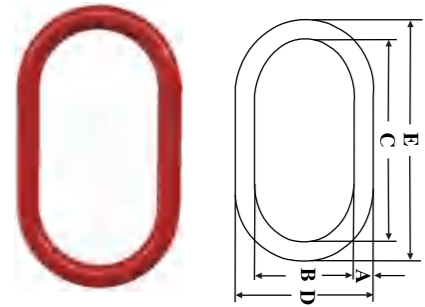


Size	Chain size mm	Inside length mm	W.L.L TON	N.W. kg
6-8	6	50	1.5	0.14
7/8-8	7/8	56	2.0	0.16
10-8	10	68	3.2	0.31
13-8	13	88	5.4	0.65
16-8	16	104	8.0	1.10
18/20-8	18/20	125	12.6	1.80
22-8	22	150	15.5	3.20
26-8	26	169	20	4.50
32-8	32	200	32	9.00

Minimum Breaking Load=4 × W.L.L.(Working load limite.)

1.Alloy steel-ouenched and tempered. MBS=4×WLL
 2.Individually proof tested at 2 times working load limit with certification.
 3.Proof test certification shipped with each link.
 4.Sizes from 1/2 to 2 are drop forged.

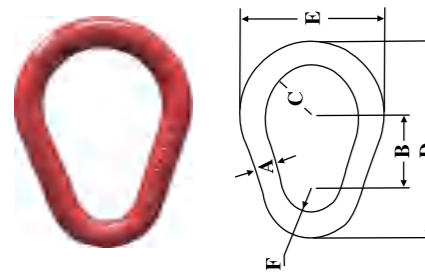
Master link



Size (in.)	Working load limit(1bs)	Weight Each (1bs)	Dimensions(in.)				
			A	B	C	D	E
1/2	4920	.82	.50	2.50	5.00	3.50	6.00
5/8	6600	1.52	.63	3.00	6.00	4.25	7.25
3/4	10320	2.07	.75	2.75	5.50	4.25	7.00
7/8	14300	4.20	.88	3.50	7.00	5.25	8.75
1	24360	4.85	1.00	3.50	7.00	5.50	9.00
1 1/4	35160	9.57	1.25	4.38	8.75	6.88	11.25
1 1/2	47800	16.22	1.50	5.25	10.50	8.25	13.50
1 3/4	62520	25.22	1.75	6.00	12.00	9.50	15.50
2	97680	37.04	2.00	7.00	14.00	11.00	18.00

1.Self Colored. 2.Forged carbon steel-Quenched and Tempered.

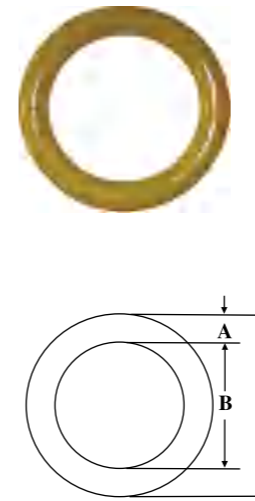
Weldless sling link



Size (in.)	Working load limit(1bs)	Weight Each (1bs)	Dimensions (in.)				
			B	C	D	E	F
3/8	1800	.23	1.13	.75	3.00	2.25	.38
1/2	2900	.55	1.50	1.00	4.00	3.00	.50
5/8	4200	1.06	1.87	1.25	5.00	3.75	.63
3/4	6000	1.88	2.25	1.50	6.00	4.50	.75
7/8	8300	2.75	2.63	1.75	7.00	5.25	.88
1	10800	4.35	3.00	2.00	8.00	6.00	1.00
1 1/4	16750	7.60	4.00	2.50	10.25	7.50	1.25
1 3/8	20500	11.30	4.13	2.75	11.00	8.25	1.38

Minimun Ultimate Load is 5 times the Working Load Limit.

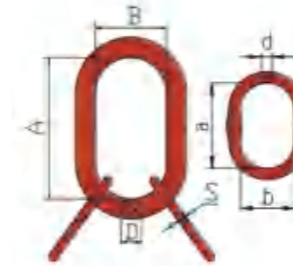
Weldless round link



Size	WLL (LBS)	inch		Weight (kgs)
		A	B	
1/2 × 2 "	2200	1/2	2 "	0.23
5/8 × 3 "	3300	5/8	3 "	0.500
5/8 × 3-5/16 "	3300	5/8	3 5/16 "	0.490
3/4 × 3 "	5000	3/4	3 "	0.750
3/4 × 4 "	5600	3/4	4 "	1.100
7/8 × 4 "	7200	7/8	4 "	1.400
7/8 × 5-1/2 "	5600	7/8	5 1/2 "	1.900
1 × 4 "	10800	1	4 "	1.800
1 × 5 1/2 "	10800	1	5 1/2 "	2.300
1 1/8 × 6 "	10400	1 1/8	6 "	2.800
1 1/4 × 5 "	17000	1 1/4	5 "	3.500
1 1/4 × 6 "	17000	1 1/4	6 "	4.200
1 1/4 × 10 "	17000	1 1/4	10 "	6.200
1 3/8 × 6 "	19000	1 3/8	6 "	5.000
1 1/2 × 8 "	25000	1 1/2	8 "	7.300
1 1/2 × 10 "	25000	1 1/2	10 "	8.44
2 × 12 "	35000	2	12 "	18.200

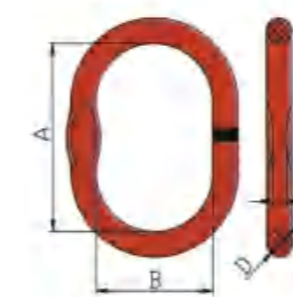
Ultimate Load is 6 times the Working Limit.

A-345 Master link assembly (forged main link)



Weight/kg	WLL/T	B.L/T	A	B	D	a	b	d	s
1.55	4.1	20.5	140	70	20	85	40	14	7.6
3.29	8.4	42	178	89	25	100	60	18	8.4
7.18	14.1	70.5	220	110	32	100	60	22	13.5
12.91	21.3	106.5	267	135	38	180	100	28	16.5
21.25	33.3	166.5	305	152	45	180	100	35	18.5
30.34	40.3	201.5	356	178	50	180	100	38	--

A-344 Master link (welded)



Weight/kg	Chain (4:1)		Steel (5:1)		A	B	D	S
	WLL/T	B.L/T	WLL/T	B.L/T				
0.27	1.6	6.4	1.2	6	100	60	12	6
0.38	2.76	11.04	2.2	11	100	60	14	7.6
0.85	4	26	3.2	16	160	90	18	8.4
1.2	6.5	26	5.2	26	160	90	20	10.4
1.63	8.2	32.8	6.5	32.5	180	100	22	13.5
2.13	11.5	46	9.2	46	180	100	25	16.5
3.81	11.8	47.2	9.4	47	270	140	28	--
5.05	16	64	12.8	64	270	140	32	--

Chain Hooks G70 G80

Eye hooks 美式货钩

Quenched and tempered ultimate load is 4 times WLL
320C-Carbon Steel; 320A-Alloy Steel

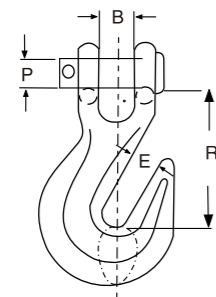


Working Load Limit(Lbs)		Dimensions(in)					Weight (Lbs)
320C	320A	B	E	R	O	T	
1/2	3/4	0.63	0.87	2.80	2.80	0.65	0.35
3/4	1	0.75	0.94	3.22	3.22	0.81	0.55
1	1 1/2	0.91	1.03	3.66	3.66	0.81	0.75
1 1/2	2	1.12	1.06	4.09	4.09	0.84	1.25
2	3	1.285	1.22	4.69	4.69	1.19	1.70
3	4 1/2	1.56	1.50	5.78	5.78	1.38	2.60
5	7	2.00	1.88	7.38	7.38	1.78	7.08
7 1/2	11	2.44	2.25	9.06	9.06	2.12	13.00

Clevis grab hooks



Forged Carbon steel
Forged Alloy Steel



Size of Chain	WLL		Dimensions(in)				Weight (1bs)
	H-330	A-330	B	E	P	R	
1/4 "	2600	3600	7/16	11/32	3/8	1-13/16	.38
5/16 "	3900	5400	1/2	7/16	3/8	2-5/32	.70
3/8 "	5400	7500	19/32	1/2	7/16	2-15/32	1.04
7/16 "	7200	10000	21/32	9/16	9/16	2-25/32	1.31
1/2 "	9200	12750	3/4	5/8	5/8	3-7/32	2.06
5/8 "	12750	19000	29/32	3/4	3/4	4-3/32	4.25
3/4 "	18500	27000	15/16	7/8	7/8	4-5/8	6.50

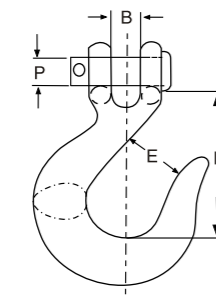
H-330

MBS=4 × WLL

Clevis slip hooks



Forged Carbon steel
Forged Alloy Steel



Size of Chain	Working Load Limit			Dimensions(in)				Weight (1bs)
	Stip Hook Application		Sling Hk Application	B	E	P	R	
	H-331	A-331						
1/4 "	1950	2750	2400	7/16	15/16	3/8	2-9/16	.50
5/16 "	2875	4300	3250	13/32	1-1/16	7/16	2-23/32	.75
3/8 "	4000	5250	4250	19/32	1-5/16	15/32	3-1/4	1.20
7/16 "	5000	7000	6600	9/16	1-9/16	9/16	3-21/32	2.06
1/2 "	6500	9000	8600	3/4	1-11/16	5/8	4	2.75
5/8 "	9250	13500	11250	13/16	2	3/4	4-15/16	4.75
3/4 "	---	19250	16500	1-5/16	-	1	6-3/32	10.30

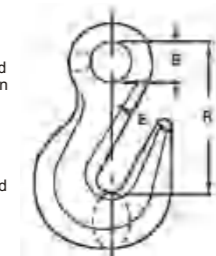
H-331

MBS=4 × WLL

Eye grab hooks



Forged Carbon steel
Forged Alloy Steel



Size of Chain	Working Load Limit		Dimensions(in)			Weight (1bs)
	H-323	A-323	B	E	R	
1/4 "	2600	3600	1/2	11/32	1-31/32	.28
5/16 "	3900	5400	16/9	7/16	2-1/4	.45
3/8 "	5400	7500	32/21	1/2	2-9/16	.79
1/2 "	9200	12750	8/7	21/32	3-3/8	1.75
5/8 "	12750	19000	1-1/16	25/32	4-3/32	3.25
3/4 "	18500	27000	1-3/8	15/16	5-5/32	5.94

H-323

MBS=4 × WLL

Eye slip hooks



Forged Carbon steel
Forged Alloy Steel

H-324

Size of Chain	Working Load Limit		Dimensions(in)			Weight (1bs)
	H-324	A-324	B	E	R	
1/4 "	1950	2750	1/2	15/16	2-17/32	.40
5/16 "	2875	4300	5/8	1-1/16	2-29/32	.70
3/8 "	4000	5250	23/32	1-5/16	3-5/16	1.00
7/16 "	5000	7000	13/16	1-9/16	3-7/8	1.56
1/2 "	6500	9000	15/16	1-11/16	4-9/32	2.31
5/8 "	9250	13500	1-1/8	2	5-7/32	3.78
3/4 "	12500	19250	1-3/8	2-1/8	5-25/32	6.56

MBS=4 × WLL

Grade 80 self locking eye safety hook



Size	Chain size		Inside length		W.L.L		N.W. kg
	mm	inch	mm	inch	TON	LBS	
6-8	6	1/4	118	4.6	1.00	2750	0.50
7/8-8	7+8	9/32-5/16	132	5.2	2.00	4400	0.84
10-8	10	3/8	168	6.6	3.20	7000	1.62
13-8	13	1/2	210	8.3	5.00	12000	3.07
16-8	16	5/8	249	9.8	8.00	20000	6.10

Minimum Breaking Load=4 × W.L.L.(Working load limited.)

Grade 80 self locking clevis safety hook



Size	Chain size		Inside length		W.L.L		N.W. kg
	mm	inch	mm	inch	TON	LBS	
6-8	6	1/4	100	4.0	1.00	2750	0.53
7/8-8	7+8	9/32-5/16	122	4.8	2.00	4000	0.90
10-8	10	3/8	150	6.0	3.20	7000	1.50
13-8	13	1/2	187	7.4	5.00	12000	3.33

Minimum Breaking Load=4 × W.L.L.(Working load limited.)

Grade 80 self locking swivel safety hook



Size	Chain size		Inside length		W.L.L		N.W. kg
	mm	inch	mm	inch	TON	LBS	
6-8	6	1/4	128	5.0	1.0	2540	0.60
7/8-8	7+8	9/32-5/16	142	5.6	2.0	4400	1.20
10-8	10	3/8	180	7.0	3.2	7000	1.90
13-8	13	1/2	230	9.1	5.4	12000	3.70

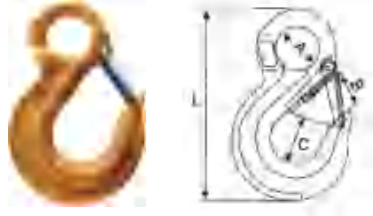
Minimum Breaking Load=4 × W.L.L.(Working load limited.)

Grade 80 grab hook



Size	Chain size		Inside length		W.L.L		N.W. kg
	mm	inch	mm	inch	TON	LBS	
7/8-8	7+8	9/32-5/16	153	6.0	3.2	7000	0.70
10-8	10	3/8	153	6.0	5.4	12000	1.10
13-8	13	1/2	182	7.2	8.0	17600	2.20

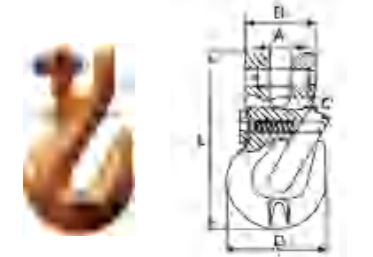
Minimum Breaking Load=4 × W.L.L.(Working load limited.)

G80 Eye sling hook with latch,new style


W.L.L. (tons)	M.B.S. (tons)	Dimensions (mm)				Weight (kgs)
		A	B	C	L	
1.12	4.48	20	24	21	108	0.3
2.00	8.00	25	30	26	133	0.4
3.15	12.60	38	34	39	167	0.9
5.30	21.20	43	39	54	213	1.7
8.00	32.00	50	46	64	255	3.2
12.50	50.00	62	40	80	305	5.8
15.00	60.00	62	71	80	348	8.5
21.20	84.80	64	81	82	394	13.0
31.50	126.00	88	102	112	480	17.0

G80 Eye sling hook with latch,new style


W.L.L. (tons)	M.B.S. (tons)	Dimensions (mm)				Weight (kgs)
		A	B	C	L	
3.2	12.8	31	36	60	173.5	0.84
3.8	15.2	31	36	78	199.0	1.17

G80 Eye sling hook with latch,new style


W.L.L. (tons)	M.B.S. (tons)	Dimensions (mm)					Weight (kgs)
		A	B	C	D	L	
1.12	4.48	8.0	32.0	8.0	43.5	75.0	0.28
2.00	8.00	9.5	35.0	11.0	49.5	89.0	0.33
3.15	12.60	12.5	42.5	13.2	70.5	126.5	0.88
5.30	21.20	15.0	53.0	16.5	90.0	163.5	1.85
8.00	32.00	19.5	65.5	19.2	112.5	183.5	3.24

G80 Eye sling hook with latch,new style


W.L.L. (tons)	M.B.S. (tons)	Dimensions (mm)					Weight (kgs)
		A	B	C	D	L	
2.00	8.00	17	50	9.5	11.0	88.5	0.29
3.15	12.6	20	71	13.0	13.0	121.5	0.75
5.30	21.2	26	96	15.5	16.5	158.0	1.62

G80 Eye sling hook with latch,new style


W.L.L. (tons)	M.B.S. (tons)	Weight (kgs)
2.50	10	0.65
3.75	15	0.95
5.40	21.6	1.40

Lashing Equipment 船用五金系列



Rigging Fittings

五金索具配件系列



SINO STAR specializes in supplying varieties of sling terminals and linking piece, such as high-tension clutch, hook, lifting ring and turnbuckle shackle, etc, which can connect tightly with wire ropes, chains and sling, etc. They can be freely formed into different types of slings to cater to different hoisting requirements.

中星海装能向客户提供各种索具末端件及连接件：高强度卸扣、吊钩、吊环、花篮螺丝等，使之有效的与钢丝绳、链条、吊装带结合，可以自由组合成各种不同形式的成套索具，以满足不同场合的吊装需要。

- Shackles 卸扣
- Turnbuckles 花兰
- European Type Eye Bolts & Nuts 欧式吊环
- U.S. Type swivels 美式旋转环
- Wire Rope Thimbles 套环
- Wire Rope Clips 卡头

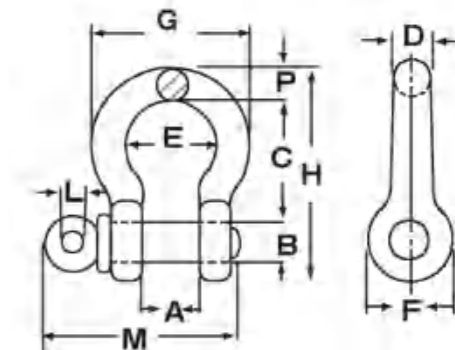
Shackles 卸扣

US type shackle 美式弓形模锻卸扣

Screw Pin Anchor Shackle



G-209



Screw pin anchor shackles meet the requirements of federal specification RR-C-271D Type IVA, Grade A, Class 2.

Nominal Size (in.)	Working Load Limit (tons)	Dimensions (in.)												Weight Each (lbs)	
		A	B	C	D	E	F	G	H	L	M	N	P	G-209 S-209	G-213 S-213
3/16	1/3	.38	.25	.88	.19	.60	.56	.98	1.47	.16	1.12	--	.19	.05	--
1/4	1/2	.47	.31	1.13	.25	.78	.61	1.28	1.84	.19	1.38	1.34	.25	.12	.13
5/16	3/4	.53	.38	1.22	.31	.84	.75	1.47	2.09	.22	1.66	1.59	.31	.19	.17
3/8	1	.66	.44	1.44	.38	1.03	.91	1.78	2.49	.25	2.03	1.86	.38	.31	.25
7/16	1 1/2	.75	.50	1.69	.44	1.16	1.06	2.03	2.91	.31	2.38	2.13	.44	.38	.38
1/2	2	.81	.63	1.88	.50	1.31	1.19	2.31	3.28	.38	2.69	2.38	.50	.63	.70
5/8	3 1/4	1.06	.75	2.38	.63	1.69	1.50	2.94	4.19	.44	3.34	2.91	.69	1.38	1.05
3/4	4 3/4	1.25	.88	2.81	.75	2.00	1.81	3.50	4.97	.50	3.97	3.44	.81	2.25	2.32
7/8	6 1/2	1.44	1.00	3.31	.88	2.28	1.09	4.03	5.83	.50	4.50	3.81	.97	3.38	3.40
1	8 1/2	1.69	1.13	3.75	1.00	2.69	2.38	4.69	6.56	.56	5.07	4.53	1.06	5.32	5.00
1 1/8	9 1/2	1.81	1.25	4.25	1.16	2.91	2.69	5.16	7.47	.63	5.59	5.13	1.25	6.81	6.97
1 1/4	12	2.03	1.38	4.69	1.29	3.25	3.00	5.75	8.25	.69	6.16	5.50	1.38	9.50	9.75
1 3/8	13 1/2	2.25	1.50	5.25	1.42	3.63	3.31	6.38	9.16	.75	6.84	6.13	1.50	13.25	13.25
1 1/2	17	2.38	1.63	5.75	1.54	3.88	3.63	6.88	10.00	.81	7.35	6.50	1.62	17.20	17.25
1 3/4	25	2.88	2.00	7.00	1.84	5.00	4.19	8.86	12.34	1.00	9.08	7.75	2.25	30.38	29.46
2	35	3.25	2.25	7.75	2.08	5.75	4.81	9.97	13.68	1.22	10.34	8.75	2.40	45.00	45.75
2 1/2	55	4.13	2.75	10.50	2.71	7.25	5.69	12.87	17.84	1.38	13.00	--	3.13	85.75	--

Note: * Drop forged, Quenched and Tempered, With alloy pins.

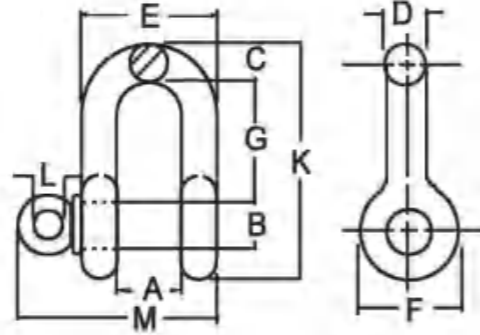
* Max proof load is 2.2 times the working load limit, Min break strength is 6 times WLL.

US type shackle 美式D形模锻卸扣

Screw Pin Chain Shackle



G-210



Screw pin anchor shackles meet the requirements of federal specification RR-C-271D Type IVA, Grade A, Class 2.

Nominal Size (in.)	Working Load Limit (tons)	Dimensions (in.)											Weight Each (lbs)	
		A	B	C	D	E	F	G	K	L	M	N	G-210 S-210	G-215 S-215
1/4	1/2	.47	.31	.25	.25	.97	.61	.88	1.59	.19	1.38	1.34	.11	.10
5/16	3/4	.53	.38	.31	.31	1.16	.75	1.03	1.91	.22	1.66	1.59	.17	.18
3/8	1	.66	.44	.38	.38	1.41	.91	1.25	2.30	.25	2.03	1.86	.24	.25
7/16	1 1/2	.75	.50	.44	.44	1.63	1.06	1.44	2.66	.31	2.38	2.13	.40	.38
1/2	2	.81	.63	.50	.50	1.81	1.19	1.63	3.03	.38	2.69	2.38	.59	.50
5/8	3 1/4	1.06	.75	.62	.63	2.31	1.50	2.00	3.75	.44	3.34	2.91	1.21	1.21
3/4	4 3/8	1.25	.88	.81	.75	2.75	1.81	2.38	4.53	.50	3.97	3.44	2.25	2.00
7/8	6 1/2	1.44	1.00	.97	.88	3.19	2.09	2.81	5.33	.50	4.50	3.81	3.16	3.28
1	8 1/2	1.69	1.13	1.00	1.00	3.69	2.38	3.19	5.94	.56	5.07	4.53	4.75	4.75
1 1/8	9 1/2	1.81	1.25	1.25	1.13	4.06	2.69	3.58	6.78	.63	5.59	5.13	6.75	6.3
1 1/4	12	2.03	1.38	1.38	1.25	4.53	3.00	3.94	7.50	.69	6.16	5.50	9.06	9.00
1 3/8	13 1/2	2.25	1.50	1.50	1.38	5.00	3.31	4.38	8.28	.75	6.84	6.13	11.63	12.00
1 1/2	17	2.38	1.62	1.62	1.50	5.38	3.62	4.81	9.06	.81	7.35	6.50	15.95	16.15
1 3/4	25	2.88	2.12	2.12	1.75	6.38	4.19	5.75	10.97	1.00	9.08	7.75	26.75	29.96
2	32	3.25	2.00	2.00	2.00	7.25	4.81	6.75	12.28	1.22	10.34	8.75	42.31	43.25
2 1/2	55	4.13	2.62	2.62	2.62	9.38	5.69	8.00	14.84	1.38	13.00	--	71.75	--

Note: * Drop forged, Quenched and Tempered, With alloy pins.
 * Max proof load is 2.2 times the working load limit, Min break strength is 6 times WLL.

US type shackle 美式模锻保险卸扣

Bolt Type Anchor Shackle

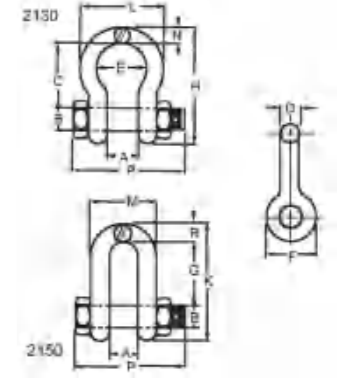


G-2130

Bolt Type Chain Shackle



G-2150

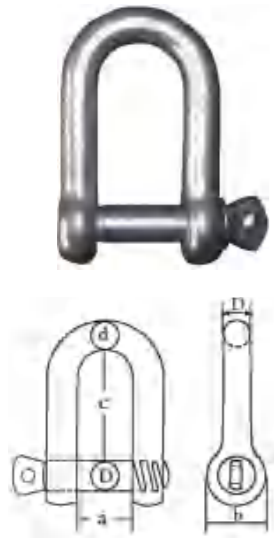


Screw pin anchor shackles meet the requirements of federal specification RR-C-271D Type IVA, Grade A, Class 3.

Nominal Size (in.)	Working Load Limit (tons)	Dimensions (in.)																2013 Weight Each (lbs)	2150 Weight Each (lbs)
		A	B	C	D	E	F	G	H	K	L	M	N	P	R				
3/16	1/3	.38	.25	.88	.19	.60	.56	--	1.47	--	.98	--	.19	1.29	--	.06	--		
1/4	1/2	.47	.31	1.13	.25	.78	.61	--	1.84	--	1.28	--	.25	1.56	--	.17	.13		
5/16	3/4	.53	.38	1.22	.31	.84	.75	--	2.09	--	1.47	--	.31	1.82	--	.22	.23		
3/8	1	.66	.44	1.44	.38	1.03	.91	--	2.49	--	1.78	--	.38	2.17	--	.33	.33		
7/16	1 1/2	.75	.50	1.69	.44	1.16	1.06	--	2.91	--	2.03	--	.44	2.51	--	.49	.49		
1/2	2	.81	.63	1.88	.50	1.31	1.19	1.63	3.28	3.03	2.31	1.81	.50	2.80	.50	.79	.75		
5/8	3 1/4	1.06	.75	2.38	.63	1.69	1.50	2.00	4.19	3.75	2.94	2.31	.69	3.53	.63	1.68	1.47		
3/4	4 3/4	1.25	.88	2.81	.75	2.00	1.81	2.38	4.97	4.53	3.50	2.75	.81	4.07	.81	2.72	2.58		
7/8	6 1/2	1.44	1.00	3.31	.88	2.28	2.09	2.81	5.83	5.33	4.03	3.19	.97	4.71	.97	3.95	3.85		
1	8 1/2	1.69	1.13	3.75	1.00	2.69	2.38	3.19	6.56	5.94	4.96	3.69	1.06	5.31	1.00	6.12	5.55		
1 1/8	9 1/2	1.81	1.25	4.25	1.13	2.91	2.69	3.58	7.47	6.78	5.16	4.06	1.25	5.09	1.25	8.27	7.60		
1 1/4	12	2.03	1.38	4.69	1.25	3.25	3.00	3.94	8.25	7.50	5.75	4.53	1.38	6.51	1.38	11.71	10.81		
1 3/8	13 1/2	2.25	1.50	5.25	1.38	3.63	3.31	4.38	9.16	8.28	6.38	5.00	1.50	7.21	1.50	15.83	13.75		
1 1/2	17	2.38	1.63	5.75	1.50	3.88	3.36	4.81	10.00	9.06	6.88	5.38	1.62	7.73	1.62	20.80	18.50		
1 3/4	25	2.88	2.00	7.00	1.75	5.00	4.19	5.75	12.34	10.97	8.86	6.38	2.25	9.05	2.12	33.91	31.40		
2	35	3.25	2.25	7.75	2.00	5.75	4.85	6.75	13.68	12.28	9.97	7.25	2.40	10.41	2.00	52.25	46.75		
2 1/2	55	4.13	2.75	10.50	2.62	7.25	5.69	8.00	17.84	14.84	12.87	9.38	3.13	13.56	2.62	98.25	85.00		
3	85	5.00	3.25	13.00	3.00	7.88	6.50	8.50	21.50	16.88	14.36	11.00	3.62	16.50	3.50	154.00	124.25		
3 1/2	120	5.25	3.75	14.63	3.62	9.00	8.00	--	24.63	--	16.50	--	4.12	19.00	--	265.00	--		
4	150	5.50	4.25	14.50	4.10	10.00	9.00	--	25.69	--	18.12	--	4.56	19.75	--	338.00	--		

Note: * Drop forged, Quenched and tempered, With alloy pins.
 * Max proof load is 2.2 times the working load limit, Min break strength is 6 times WLL.

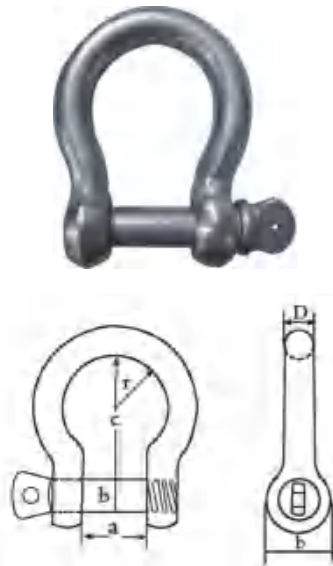
European type large DEE shackles 欧式大DEE卸扣



Same Size Diameter Pin With Body

SWL	D	d	a	c	b	Weight per 100 pce
kg	mm	mm	mm	mm	mm	kg
80	5	5	10	19	11	1.9
100	6	6	13	25	14	3.4
200	8	8	16	32	18	7
320	10	10	19	38	20	13
520	12	12	25	51	26	24
800	16	16	32	64	33	50
1100	20	20	38	76	40	80
1500	22	22	44	89	50	130
2100	25	25	51	100	57	200
3000	28	28	57	115	68	300
3500	32	32	64	127	73	430
5000	38	38	76	152	85	675
7000	45	45	90	180	96	1250
8000	50	50	102	200	108	1750

European type large bow Shackles 欧式大弓型卸扣



Same Size Diameter Pin With Body

SWL	D	d	a	c	r	d	Approx 100pce/WT
kg	mm	mm	mm	mm	mm	mm	kg
80	5	5	10	19	8	11	1.9
100	6	6	13	25	10	14	3.4
200	8	8	16	32	12	18	7
320	10	10	19	38	16	20	13
520	12	12	25	51	19	26	26
800	16	16	32	64	28	33	50
1100	20	20	38	76	33	40	80
1500	22	22	44	89	37	50	130
2100	25	25	51	100	40	57	200
3000	28	28	57	115	47	68	310
3500	32	32	64	127	52	73	430
5000	38	38	76	152	63	85	700
7000	45	45	90	180	75	96	1250
8000	50	50	102	200	78	108	1750

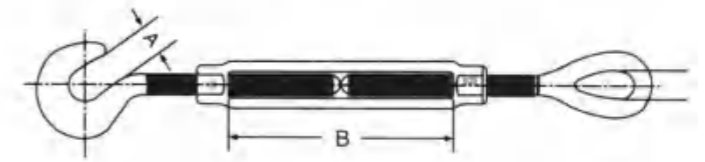
Note: Material: Mild Carbon Steel & Stainless Steel ANSI 304/316.

Trawling shackles with Round Head Screw Pin



Turnbuckles 花兰

Hot dip galvanized drop forged turnbuckle hook & eye, hook & hook



Thread dia & Take up	W.L.L (lbs)	Weight (lbs)	Dimensions (in)		
			A	B	C
1/4 x 4	400	0.30	0.45	4.00	0.34
5/16 x 4 1/2	700	0.47	0.50	4.50	0.44
3/8 x 6	1000	0.75	0.56	6.00	0.53
1/2 x 6	1500	1.60	0.66	6.00	0.72
1/2 x 9	1500	1.83	0.66	9.00	0.72
1/2 x 12	1500	2.08	0.66	12.00	0.72
5/8 x 6	2250	2.75	0.84	6.00	0.88
5/8 x 9	2250	3.13	0.84	9.00	0.88
5/8 x 12	2250	3.50	0.84	12.00	0.88
3/4 x 6	3000	3.89	0.98	6.00	1.00
3/4 x 9	3000	4.61	0.98	9.00	1.00
3/4 x 12	3000	5.43	0.98	12.00	1.00
3/4 x 18	3000	7.25	0.98	18.00	1.00
7/8 x 12	4000	8.10	1.13	12.00	1.25
7/8 x 18	4000	9.95	1.13	18.00	1.25
1 x 6	5000	9.33	1.25	6.00	1.44
1 x 12	5000	11.93	1.25	12.00	1.44
1 x 18	5000	14.00	1.25	18.00	1.44
1 x 24	5000	17.25	1.25	24.00	1.44
1 1/4 x 12	6500	19.00	1.50	12.00	1.81
1 1/4 x 18	6500	23.00	1.50	18.00	1.81
1 1/4 x 24	6500	27.00	1.50	24.00	1.81
1 1/2 x 12	7500	27.50	1.88	12.00	2.12
1 1/2 x 18	7500	31.00	1.88	18.00	2.12
1 1/2 x 24	7500	37.50	1.88	24.00	2.12

*Ultimate load is 5 times working load limit



Hot dip galvaized drop forged turnbuckle eye & eye,jaw & eye,jaw &jaw



Thread dia & Take up	W.L.L (lbs)	Dimensions (in)				Weight (lbs) Eye/Eye	Weight (lbs) Jaw/Eye	Weight (lbs) Jaw/Jaw
		A	B	C	D			
1/4 × 4	500	0.45	0.62	0.78	0.34	0.30	0.32	0.39
5/16 × 4 1/2	800	0.50	0.87	0.94	0.44	0.46	0.47	0.54
3/8 × 6	1200	0.54	0.87	1.12	0.53	0.73	0.76	0.83
1/2 × 6	2200	0.63	1.06	1.44	0.72	1.46	1.53	1.57
1/2 × 9	2200	0.55	1.06	1.44	0.72	1.71	1.76	1.95
1/2 × 12	2200	0.55	1.06	1.44	0.72	2.19	2.20	2.24
5/8 × 6	3500	0.82	1.31	1.75	0.88	2.47	2.65	2.80
5/8 × 9	3500	0.82	1.31	1.75	0.88	2.90	3.06	3.35
5/8 × 12	3500	0.82	1.31	1.75	0.88	3.48	3.78	4.00
3/4 × 6	5200	1.03	1.50	2.09	1.00	3.90	4.00	4.30
3/4 × 9	5200	1.03	1.50	2.09	1.00	4.60	4.75	4.89
3/4 × 12	5200	1.03	1.50	2.09	1.00	5.46	5.76	5.90
3/4 × 18	5200	1.03	1.50	2.09	1.00	6.97	7.00	7.52
7/8 × 6	7200	1.23	1.75	2.38	1.25	5.85	6.29	6.84
7/8 × 12	7200	1.23	1.75	2.38	1.25	7.65	8.00	8.60
7/8 × 18	7200	1.23	1.75	2.38	1.25	10.25	10.60	11.44
1 × 6	10000	1.31	2.06	3.00	1.44	8.98	9.16	9.44
1 × 12	10000	1.31	2.06	3.00	1.44	11.31	11.40	11.53
1 × 18	10000	1.31	2.06	3.00	1.44	14.00	14.75	16.10
1 × 24	10000	1.31	2.06	3.00	1.44	16.02	17.50	18.60
1 1/4 × 6	15200	1.86	2.81	3.56	1.81	15.45	16.03	16.69
1 1/4 × 12	15200	1.86	2.81	3.56	1.81	19.00	20.00	23.00
1 1/4 × 18	15200	1.86	2.81	3.56	1.81	22.50	24.18	26.60
1 1/4 × 24	15200	1.86	2.81	3.56	1.81	25.00	28.50	31.20
1 1/2 × 12	21400	2.25	2.81	4.06	2.12	27.00	31.10	35.50
1 1/2 × 18	21400	2.25	2.81	4.06	2.12	31.69	35.00	40.70
1 1/2 × 24	21400	2.25	2.81	4.06	2.12	38.20	44.20	47.60
1 3/4 × 18	28000	2.60	3.38	4.62	2.38	45.20	48.80	52.40
1 3/4 × 24	28000	2.60	3.38	4.62	2.38	58.00	60.00	64.00
2 × 24	37000	2.62	3.69	5.75	2.69	81.57	102.00	115.00
2 1/2 × 24	60000	3.06	4.44	6.50	3.12	180.00	183.00	200.00
2 3/4 × 24	75000	3.68	4.19	7.00	3.25	210.00	214.00	248.00

*Ultimate load is 5 times working load limit

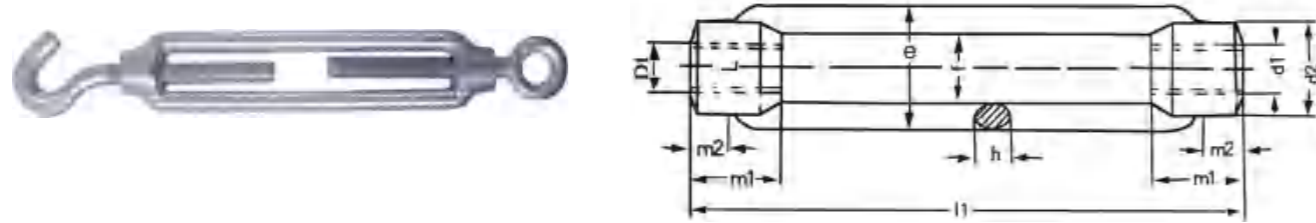
Drop forged turnbuckle body only



Thread dia & Take up	W.L.L (lbs)	Weight (lbs)	Dimensions(in)		
			A	B	C
1/4 × 4	500	0.15	4.00	0.50	0.38
5/16 × 4 1/2	800	0.19	4.50	0.56	0.44
3/8 × 6	1200	0.29	6.00	0.62	0.50
1/2 × 6	2200	0.60	6.00	0.81	0.62
1/2 × 9	2200	0.68	9.00	0.81	0.62
1/2 × 12	2200	1.00	12.00	0.81	0.62
5/8 × 6	3500	0.90	6.00	1.00	0.75
5/8 × 9	3500	1.18	9.00	1.00	0.75
5/8 × 12	3500	1.43	12.00	1.00	0.75
3/4 × 6	5200	1.30	6.00	1.12	0.94
3/4 × 9	5200	1.75	9.00	1.12	0.94
3/4 × 12	5200	2.08	12.00	1.12	0.94
3/4 × 18	5200	2.50	18.00	1.12	0.94
7/8 × 6	7200	1.86	6.00	1.31	1.06
7/8 × 12	7200	2.70	12.00	1.31	1.06
7/8 × 18	7200	3.80	18.00	1.31	1.06
1 × 6	10000	2.48	6.00	1.50	1.25
1 × 12	10000	3.93	12.00	1.50	1.25
1 × 18	10000	5.28	18.00	1.50	1.25
1 × 24	10000	7.38	24.00	1.50	1.25
1 1/4 × 6	15200	3.90	6.00	1.88	1.50
1 1/4 × 12	15200	5.25	12.00	1.88	1.50
1 1/4 × 18	15200	7.75	18.00	1.88	1.50
1 1/4 × 24	15200	9.93	24.00	1.88	1.50
1 1/2 × 6	21400	5.80	6.00	2.25	1.75
1 1/2 × 12	21400	8.75	12.00	2.25	1.75
1 1/2 × 18	21400	11.00	18.00	2.25	1.75
1 1/2 × 24	21400	13.69	24.00	2.25	1.75
1 3/4 × 18	28000	16.38	18.00	2.62	2.12
1 3/4 × 24	28000	21.25	24.00	2.62	2.12
2 × 6	37000	12.50	6.00	3.00	2.38
2 × 24	37000	27.60	24.00	3.00	2.38
2 1/2 × 6	60000	27.00	6.00	3.88	3.12
2 1/2 × 24	60000	54.00	24.00	3.88	3.12
2 3/4 × 24	75000	54.00	24.00	3.88	3.12

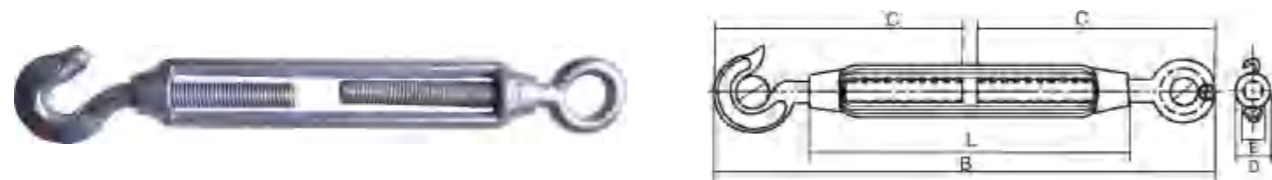
*Ultimate load is 5 times working load limit

DIN 1480 Turnbuckles 德制DIN1480花兰



d1	M6	M8	M10	M12	M16	M20	M24	M30	M36	M42	M48	M56
d2	12	15	18	21	27	34	39	45	55	63	80	80
e	19	23	30	34	42	52	60	74	86	104	135	135
f	9	11	14	16	20	24	28	34	40	50	65	65
h min	6	8	9	11	14	17	20	23	28	32	40	40
L1	110	110	125	125	170	200	255	255	295	330	355	355
m1	12	15	18	21	27	34	39	45	55	63	78	78
m2 max	6	8	9	11	14	17	20	23	28	32	39	39

Turnbuckle commercial type(Malleable Iron) 普通玛钢花兰

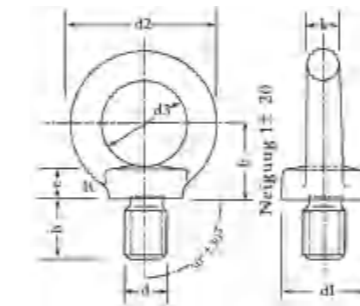


SWL kg	Size	B	C	D	E	L	Weight each kg
100	6 × 100mm	145	215	12	10	100	0.16
200	8 × 125mm	185	280	14	12	125	0.24
300	10 × 150mm	210	325	16	14	150	0.39
500	12 × 200mm	275	430	19	18	200	0.64
1000	16 × 250mm	345	540	23	24	250	1.44
1500	20 × 300mm	435	670	28	26	300	2.45
2200	22 × 320mm	480	740	34	32	325	3.60
3000	24 × 350mm	555	830	36	36	350	5.00

European Type Eye Bolts & Eye Nuts 欧式吊环

Eye screw DIN 580 Finish: bright or galvanized

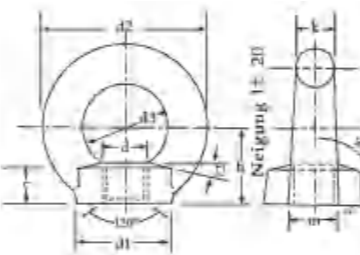
吊环螺丝 DIN 580



Size d	WLL t	WLL t	Dimensions							Weight %kg
			d1 mm	d2 mm	d3 mm	b mm	e mm	h mm	k mm	
M6*	0.07	0.05	17	28	16	13	6	17	6	5
M8*	0.14	0.095	20	36	20	15	6	18	8	6
M10*	0.23	0.17	25	45	25	18	8	22	10	11
M12	0.34	0.24	30	54	30	22	10	26	12	18
M14*	0.49	0.34	35	63	35	28	12	30	12	28.5
M16*	0.7	0.5	35	63	35	28	12	30	14	28
M20	1.2	0.83	40	72	40	30	12	35	16	45
M22*	1.5	1.05	45	81	45	35	14	40	18	67
M24	1.8	1.27	50	90	50	38	16	45	20	87
M27*	2.5	1.65	50	90	50	38	18	45	20	88
M30	3.6	2.6	65	108	60	45	18	55	24	166
M33*	4.3	3.2	65	108	60	45	22	55	24	172
M36	5.1	3.7	75	126	70	55	22	65	28	265
M39*	6.1	4.3	75	126	70	55	26	65	28	280
M22	7.0	5.0	85	144	80	65	30	75	32	403
M45*	8	5.5	85	144	80	65	30	75	32	425
M48	8.6	6.1	100	166	90	70	35	85	38	638
M52*	9.9	7.3	100	166	90	70	35	85	38	660
M65	11.5	8.3	110	184	100	80	38	95	42	880
M64	16.0	11.0	120	206	110	90	42	100	48	1240

Ring-Nut DIN 582 Finish: bright or galvanized

吊环螺母 DIN 582



Size d	WLL t	WLL t	Dimensions						Weight %kg
			d1 mm	d2 mm	d3 mm	e mm	h mm	k mm	
M6*	-	-	20	36	20	8.5	18	8	4.9
M8	0.14	0.095	20	36	20	8.5	18	8	5.0
M10	0.23	0.17	25	45	25	10	22	10	9.0
M12	0.34	0.24	30	54	30	11	26	12	16.0
M16	0.7	0.5	35	63	35	13	30	14	24.0
M20	1.2	0.83	40	72	40	16	35	16	36.0
M22*	1.5	1.05	45	81	45	18	40	18	58.0
M24	1.8	1.27	50	90	50	20	45	20	72.0
M27*	2.5	1.65	50	90	50	20	45	20	70.0
M30	3.6	2.6	65	108	60	25	55	24	132.0
M33*	4.3	3.2	65	108	60	25	55	24	130.0
M36	5.1	3.7	75	126	70	30	65	28	208.0
M39*	6.1	4.3	75	126	70	30	65	28	202.0
M42	7.0	5.0	85	144	80	35	75	32	311.0
M45*	8.0	5.5	85	144	80	35	75	32	304.0
M48	8.6	6.1	100	166	90	40	85	38	502.0
M52*	9.9	7.3	100	166	90	40	85	38	495.0
M56	11.5	8.3	110	184	100	45	95	42	669.0
M64	16.0	11.0	120	206	110	50	105	48	930.0

*)These sizes should be avoided, if possible
Model: Drop forged, fused, self-coloured
Material and Thread: C 15/DIN 11/DIN 267

U.S. Type Swivels 美式旋转环



G-401

Chain swivels

MBS=5×WLL

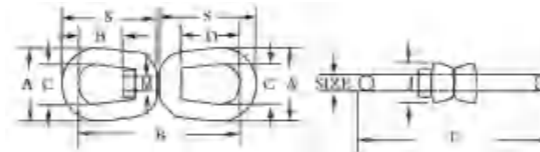
Size (in.)	Working Load Limit (lbs.)	Weight Each (lbs.)	Dimensions (in.)											
			A	B	C	D	E	G	J	M	R	T	U	V
1/4	850	.13	1.25	.69	.75	.62	1.12	.25	.69	.31	2.25	2.75	1.69	1.25
5/16	1250	.25	1.63	.81	1.00	.75	1.38	.31	.81	.38	2.72	3.34	2.06	1.47
3/8	2500	.61	2.00	.94	1.25	1.00	1.75	.38	1.00	.50	3.44	4.19	2.50	1.88
1/2	3600	1.12	2.50	1.31	1.50	1.25	2.25	.50	1.31	.63	4.25	5.25	3.19	2.44
5/8	5200	1.75	3.00	1.56	1.75	1.50	2.75	.62	1.50	.75	5.13	6.31	3.88	2.94
3/4	7200	3.09	3.50	1.75	2.00	1.75	3.25	.75	1.88	.88	5.78	7.22	4.94	3.46



G-402

Regular swivels

Size (in.)	Working Load Limit (lbs.)	Weight Each (lbs.)	Dimensions (in.)									
			A	B	C	D	J	M	R	S	T	
1/4	850	.21	1.25	.69	.75	1.06	.69	.31	2.94	1.69	3.44	
5/16	1250	.39	1.63	.81	1.00	1.25	.81	.38	3.56	2.06	4.19	
3/8	2250	.75	2.00	.94	1.25	1.50	1.00	.50	4.31	2.50	5.06	
1/2	3600	1.43	2.50	1.31	1.50	2.00	1.31	.63	5.44	3.19	6.44	
5/8	5200	2.50	3.00	1.56	1.75	2.38	1.50	.75	6.56	3.88	7.81	
3/4	7200	4.13	3.50	1.75	2.00	2.63	1.88	.88	7.19	4.31	8.69	
7/8	10000	6.25	4.00	2.06	2.25	3.06	2.13	1.00	8.38	5.00	10.13	
1	12500	9.00	4.50	2.31	2.50	3.50	2.38	1.13	9.63	5.75	11.63	
1 1/4	18000	16.37	5.63	2.69	3.13	3.69	3.00	1.38	11.13	6.75	13.36	
1 1/2	45200	49.06	7.00	4.19	4.00	4.19	4.00	2.25	17.13	10.00	20.13	



G-403

Jaw end swivels

Size (in.)	Working Load Limit (lbs.)	Weight Each (lbs.)	Dimensions (in.)													
			A	B	C	G	J	K	L	M	N	P	R	T	U	V
1/4	850	.25	1.25	.69	.75	.69	.69	.47	1.03	.31	.88	.25	2.63	3.38	1.69	1.69
5/16	1250	.37	1.63	.81	1.00	.81	.81	.50	1.13	.38	.88	.31	2.94	3.88	2.06	1.81
3/8	2250	.70	2.00	.94	1.25	1.00	1.00	.63	1.41	.50	1.06	.38	3.63	4.75	2.50	2.25
1/2	3600	1.43	2.50	1.31	1.50	1.31	1.31	.75	1.75	.63	1.31	.50	4.50	6.06	3.19	2.88
5/8	5200	2.48	3.00	1.56	1.75	1.63	1.50	.94	2.06	.75	1.50	.63	5.31	7.31	3.88	3.44
3/4	7200	3.88	3.50	1.75	2.00	1.88	1.88	1.13	2.53	.88	1.75	.75	6.06	8.31	4.31	4.00
7/8	10000	5.75	4.00	2.06	2.25	2.13	2.13	1.19	2.75	1.00	2.06	.88	7.00	9.53	5.00	4.53
1	12500	10.25	4.50	2.31	2.50	2.63	2.38	1.75	3.72	1.13	2.81	1.13	8.56	11.69	5.75	5.94
1 1/4	18000	15.75	5.69	2.69	3.13	3.31	3.00	2.06	4.31	1.38	2.81	1.38	9.44	13.13	6.75	6.38
1 1/2	45200	54.75	7.00	4.19	4.00	5.63	4.00	2.88	6.00	2.25	4.44	2.25	14.72	20.84	10.00	10.84



Wire Rope Thimbles 套环

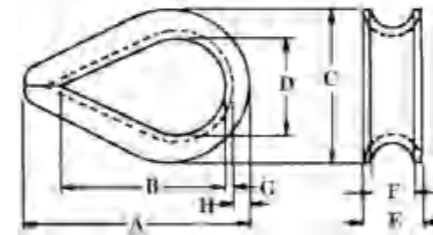
Standard wire rope Thimbles 美式套环G-411



Recommended for light duty service.
Hot dip galvanized or zinc plated.

G-411 meets the requirements of Federal Specification FF-T-276b type II

Pope DIA. (IN.)	Weight per 100 (lbs.)	Dimensions (in.)							
		A	B	C	D	E	F	G	H
1/8	2.50	1.94	1.31	1.06	.69	.25	.16	.05	.13
3/16	2.50	1.94	1.31	1.06	.69	.31	.22	.05	.13
1/4	3.75	1.94	1.31	1.06	.69	.38	.28	.05	.13
5/16	3.75	2.13	1.50	1.25	.81	.44	.34	.05	.13
3/8	6.25	2.38	1.63	1.47	.94	.53	.41	.06	.16
1/2	12.50	2.75	1.88	1.75	1.13	.69	.53	.08	.19
5/8	25.00	3.50	2.25	2.38	1.38	.91	.66	.13	.34
3/4	50.00	3.75	2.50	2.69	1.63	1.08	.78	.14	.34
7/8	85.00	5.00	3.50	3.19	1.88	1.27	.94	.16	.44
1	100.00	6.69	4.25	3.75	2.50	1.39	1.06	.16	.41
1 1/8-1 1/4	175.00	6.25	4.50	4.31	2.75	1.75	1.31	.22	.50



G-411 Standard

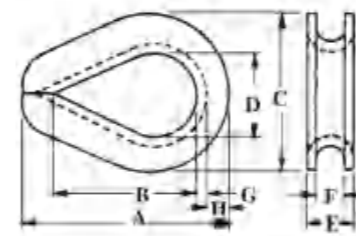
Extra heavy wire rope thimbles 美式重型套环G-414



A rugged rope thimble recommended for heavy duty service.
A available in Hot Dip galvanized or stainless steel.

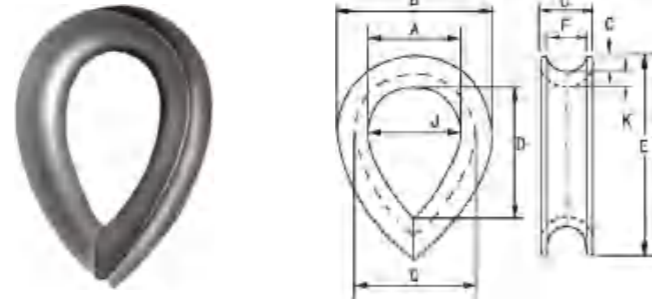
G-414 meets the requirements of Federal Specification FF-276b type III

Pope DIA. (IN.)	Weight per 100 (lbs.)	Dimensions (in.)							
		A	B	C	D	E	F	G	H
1/4	6.75	2.19	1.63	1.50	.88	.41	.28	.06	.23
5/16	11.25	2.50	1.88	1.81	1.06	.50	.34	.08	.28
3/8	25.00	2.88	2.13	2.13	1.13	.63	.41	.11	.34
7/16	30.00	3.25	2.38	2.38	1.25	.72	.47	.13	.38
1/2	51.00	3.63	2.75	2.75	1.50	.81	.53	.14	.41
9/16	51.00	3.63	2.75	2.69	1.50	.88	.59	.14	.41
5/8	75.00	4.25	3.25	3.13	1.75	.97	.66	.16	.50
3/4	147.00	5.00	3.75	3.81	2.00	1.22	.78	.22	.66
7/8	175.00	5.50	4.25	4.25	2.25	1.38	.94	.22	.75
1	275.00	6.13	4.50	4.94	2.50	1.56	1.06	.25	.88
1 1/8-1 1/4	400.00	7.00	5.13	5.88	2.88	1.81	1.31	.25	1.13
1 1/4-1 1/8	817.00	9.06	6.50	6.81	3.50	2.19	1.44	.38	1.13
1 3/8-1 1/2	1175.00	9.00	6.25	7.13	3.50	2.56	1.56	.50	1.13
1 5/8	1700.00	11.25	8.00	8.13	4.00	2.72	1.72	.50	1.38
1 3/4	1775.00	12.19	9.00	8.50	4.50	2.84	1.84	.50	1.31
1 7/8-2	2500.00	15.13	12.00	10.38	6.00	3.09	2.09	.50	1.50
2 1/4	3950.00	17.13	14.00	11.88	7.00	3.63	2.38	.63	1.63



G-414 and SS-414

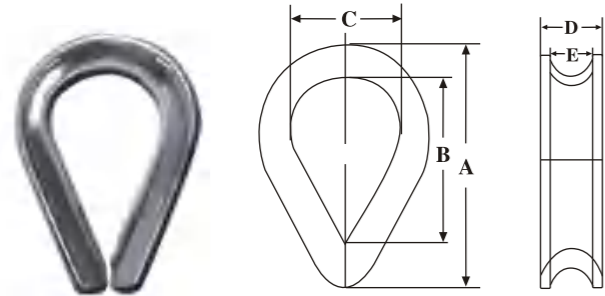
Ordinary thimbles for steel wire rope BS464-1958
BS464套环



*Min dimensions apply to sizes up to 1 5/8" dia listed in BS 464

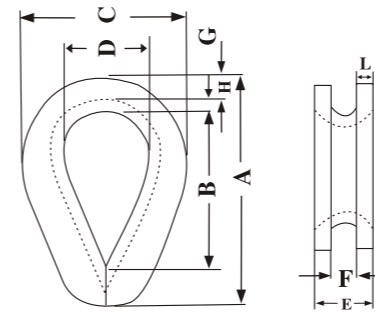
Nominal Dia of Rope	Approx Circ	A		B		C*min		D		E		F*min		G		K*min		Q		
		ins	mm	ins	mm	ins	mm	ins	mm	ins	mm	ins	mm	ins	mm	ins	mm	ins	mm	
5/16	8	1	7/8	22.2	11/2	38	1/2	12.7	15/16	33.4	21/8	52	5/16	7.9	1/4	4	5/32	4	13/16	30.1
3/8	9	1 1/4	1	25.4	17/8	47.6	9/16	14.3	11/2	38	21/2	64	13/32	10.3	5/16	6.3	3/16	4.8	13/8	35
7/16	11	1 1/2	1 1/8	28.6	21/8	52	11/16	17.5	11/2	41.3	27/8	73	1/2	12.7	5/16	7.9	3/16	4.8	11/2	38
1/2	13	1 5/8	1 1/4	31.7	25/16	58.8	13/16	20.6	13/4	44.5	31/8	79.4	9/16	14.3	5/16	7.9	7/32	5.5	11/16	42.9
9/16	14	1 3/4	1 1/4	31.7	25/16	58.8	13/16	20.6	13/4	44.5	31/8	79.4	9/16	14.3	11/32	7.9	7/32	5.5	11/16	42.9
5/8	16	2	1 5/8	41.3	215/16	74.5	7/8	22.2	25/16	58.8	37/8	95.8	5/8	15.9	3/8	8.7	5/16	7.9	21/4	56
11/16	17	2 1/4	1 3/4	44.5	31/8	79.4	11/8	28.6	25/8	66.6	41/4	108	3/4	19	7/16	9.5	5/16	7.9	23/8	60.4
3/4	19	2 3/8	2	50.8	35/8	92	11/8	28.6	27/8	73	47/8	124	13/16	20.6	7/16	11.1	3/8	9.5	23/4	69.8
13/16	21	2 1/2	2	50.8	35/8	92	11/8	28.6	27/8	73	47/8	124	13/16	20.6	1/2	12.7	3/8	9.5	23/4	69.8
7/8	22	2 3/4	2 1/4	56	4	102	11/4	31.7	31/4	82.5	51/4	133	7/8	22.2	1/2	12.7	3/8	9.5	3	76.2
15/16	24	3	2 1/2	64	511/16	110	15/16	33.4	35/8	92	53/4	146	1	25.4	9/16	12.7	13/32	10.3	35/16	84
1	25	3 1/4	2 3/4	69.8	511/16	119	11/8	35	41/4	108	63/8	162	11/16	27	5/8	14.3	13/32	10.3	39/16	90.5
1 1/8	29	3 1/2	3	76.2	51/4	133	13/8	38	43/8	112	7	178	11/8	28.6	5/8	15.9	1/2	12.7	4	102
1 1/4	32	4	3 3/4	95	6	152	15/8	41.3	51/4	133	73/4	197	15/16	33.4	5/8	15.9	1/2	12.7	4 3/4	121
1 3/8	35	4 1/2	4 1/8	105	67/8	175	17/8	47.6	6	152	9	228	11/2	38	3/4	19	5/8	15.9	5 3/8	137
1 1/2	38	5	4 1/2	114	73/4	197	21/8	52	61/2	165	10	254	15/8	41.3	15/16	23.8	11/16	17.5	57/8	149
1 5/8	41	5 1/4	4 1/2	114	73/4	197	23/16	58.6	61/2	165	10	254	111/6	42.9	15/16	23.8	11/16	17.5	57/8	149
1 3/4	44	5 1/2	5	127	9	228	21/4	56	7	178	111/4	286	2	50.8	1	25.4	1	25.4	7	178
1 7/8	48	6	5 1/4	133	93/4	248	25/8	66.6	7 1/2	190	121/2	317	23/8	60.4	11/8	28.6	11/8	28.6	7 1/2	190
2	51	6 1/4	5 1/2	140	101/8	257	23/4	69.8	8	203	13	330	21/8	64	13/16	30.1	11/8	28.6	7 3/4	197
2 1/8	54	6 1/2	5 1/2	140	101/8	257	23/4	69.8	8	203	13	330	21/2	64	13/16	30.1	11/8	28.6	7 3/4	197
2 1/4	57	7	5 3/4	146	105/8	296	3	76.2	8 1/2	216	14	356	25/8	66.6	11/4	31.7	13/16	30.1	8 1/3	206
2 1/2	64	8	6 1/4	159	121/4	311	33/4	95	9 1/2	242	161/4	414	23/4	69.8	13/4	44.5	11/4	31.7	8 3/4	222

欧式套环



Size (mm)	Dimensions(mm)					WT/100pcs (kg)
	A	B	C	D	E	
4	25	20	11	7	4	1.00
5	31	24	15	8	5	1.20
6	37	29	18	10	6	1.70
7	44	34	22	11	7	2.60
8	51	38	24	12	8	3.10
10	64	46	30	14	10	6.80
12	76	57	38	18	12	9.30
14	82	60	40	20	14	12.00
16	89	64	42	22	16	13.90
18	102	69	45	26	18	22.00
20	115	79	51	28	20	29.10
22	127	89	54	30	22	39.90
24	140	102	64	34	26	48.40
26	152	105	64	34	28	66.20
28	165	115	73	38	30	78.60
30	178	121	79	44	32	101.00
32	203	133	93	46	34	124.50

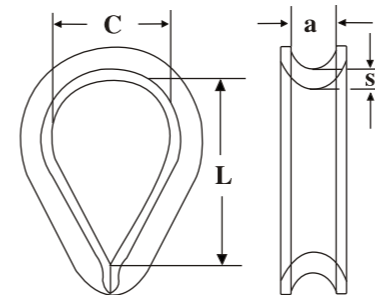
Wire Rope Thimbles, "A", DIN6899
德制DIN6899A套环



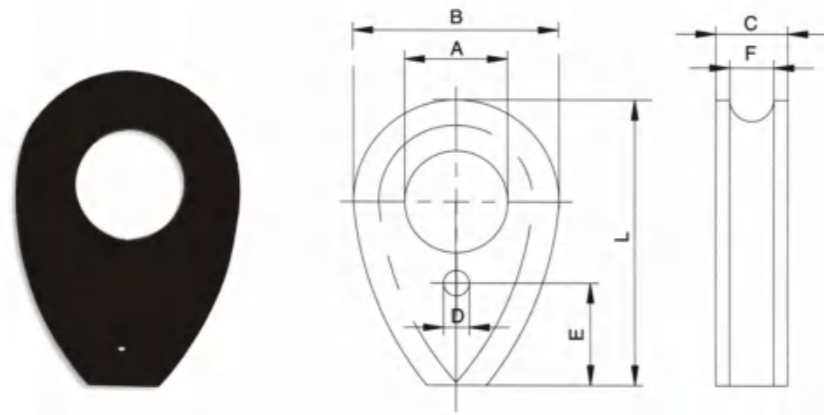
Deep Welded Type Galvanized

Size (mm)	Dimensions(mm)								WT/100pcs (kg)
	A	B	C	D	E	F	H		
2.5	28	21.5	16	10	5	3	1	0.14	
3	30	23.5	17	11	5.5	3.5	1	0.35	
4	34	26.5	19	12	6	4	1	0.42	
5	36	28	20	13	7	5	1	0.80	
6	38	3	22	14	8	6	1	0.85	
7	43	33	24	15	9	7	1.2	1.10	
8	46	35	26	16	10	8	1.2	1.70	
9	50	39	29	18	11	9	1.2	2.10	
10	56	43	32	20	13	10	1.5	3.50	
11	63	47.5	36	22	14	11	1.5	3.70	
12	68	51.5	40	24	15	12	1.5	5.25	
13	75	56.5	44	26	17	13	2	7.25	
14	82	61	48	28	18	14	2	8.33	
16	91	69.5	54	32	21	16.5	2.5	12.30	
18	102	78	59	35	24	18	3	18.50	
20	114	86.5	68	40	28	20	4	31.50	
22	126	95	76	44	30	22	4	36.50	
24	135	103.5	84	48	32	24	4	41.70	
28	162	120.5	100	56	38	28	5	72.10	

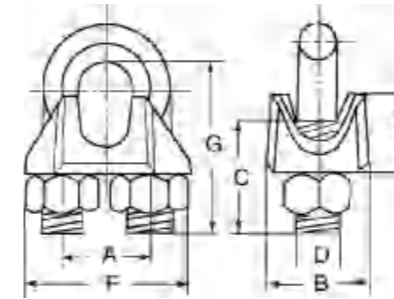
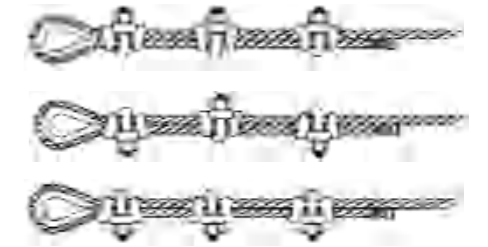
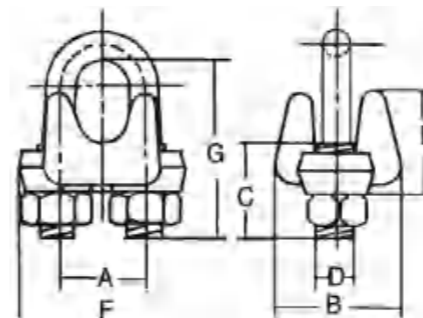
Wire Rope Thimbles, "B", DIN6899
德制DIN6899B套环



NG-nominal size	a-switch opening	l-inside length	c-inside width	s-back strength	overall length	
	mm	mm	mm	mm	ca. Zoll	%kg
2.5	3	19	12	1.6	3/4 "	0.5
3.5	4	21	13	1.6	1 "	0.8
4	5	23	14	1.9	1 1/4 "	1
5	6	25	16	2.4	1 1/2 "	1.6
6	7	28	18	2.4	1 3/4 "	1.9
7	8	32	20	2.8	2 "	3
9	10	38	24	3.1	2 1/4 "	4.7
10	12	45	28	3.3	2 1/2 "	6.8
13	13	48	30	3.3	2 3/4 "	8
13	14	51	32	3.7	3 "	10
15	16	58	36	3.8	3 1/4 "	14.5
17	17	61	38	4.7	3 1/2 "	18
16	18	64	40	4.7	3 3/4 "	20
18	20	72	45	5.7	4 "	29
20	22	80	50	5.7	4 1/2 "	32
22	24	90	56	6.5	5 "	47
24	26	99	62	6.3	5 1/2 "	59
26	28	112	70	8	6 "	80
28	30	120	75	8	6 1/2 "	110
30	32	128	80	8	7 "	123
32	34	152	95	8.5	8 "	156
34	36	160	100	8.5	8 1/2 "	176
36	38	176	110	8.5	9 "	192
38	40	184	115	10.5	9 1/2 "	292
40	42	192	120	10.5	10 "	320
42	45	240	150	10.5	12 "	364

Cast-steel Capel 铸钢鸡心环


Product code 产品编码	Size 尺寸 (mm)	Main technical parameters 主要技术参数							Weight 重量 (kg/100pcs)
		F (mm)	C (mm)	A (mm)	B (mm)	L (mm)	D (mm)	E (mm)	
OZ08	8	8.6	14	20	40	56	5	20	8
OZ10	10	10.8	17	25	50	70	5	20	17
OZ12	12	12.9	21	30	60	84	5	20	32
OZ14	14	15.1	24	35	70	98	5	20	50
OZ16	16	17.2	28	40	80	112	5	20	78
OZ18	18	19.4	31	45	90	126	5	20	114
OZ20	20	21.5	35	50	100	140	10	30	141
OZ22	22	23.7	38	55	110	154	10	30	196
OZ24	24	25.8	42	60	120	168	10	30	241
OZ26	26	28.0	45	65	130	182	10	30	346
OZ28	28	30.1	49	70	140	196	10	30	430
OZ32	32	34.4	56	80	160	224	10	30	646
OZ36	36	38.7	63	90	180	252	10	30	977
OZ40	40	43.0	70	100	200	280	10	30	1294
OZ44	44	47.3	77	110	220	308	15	45	1702
OZ48	48	51.6	84	120	240	336	15	45	2275
OZ52	52	55.9	91	130	260	364	15	45	2841
OZ56	56	60.2	98	140	280	392	15	45	3556
OZ60	60	64.5	105	150	300	420	15	45	4835


Wire Rope Clips 卡头
U.S. type galv. malleable wire rope clips
美式玛钢卡头

Drop forged wire rope clips U.S. type
美式模锻卡头

FF-C-450 Type 1 Class 2

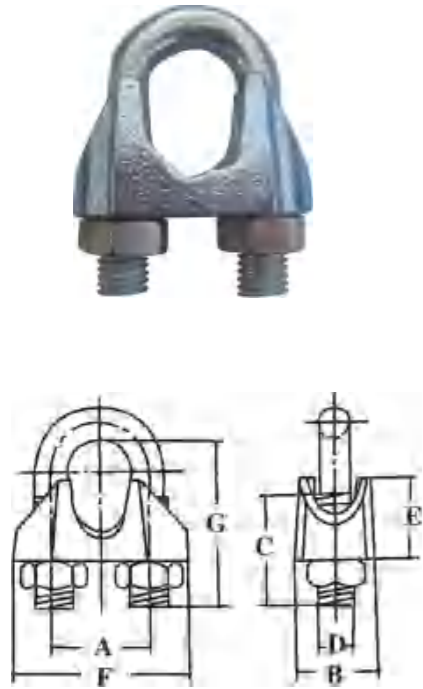
Size in	A	B	C	D	E	F	G	100/WT kg
1/8	11	14	14	10-24	10.8	22	20	1.5
3/16	13.5	15	16	1/4-20	13	26	24	3
1/4	17	18.5	20	5/16-18	15	32	31.5	5.18
5/16	18.3	20	22	5/16-18	16	35	34	5.95
3/8	22.5	22	27	2/8-16	22	40.5	41.8	10.01
7/16	24	23	30	3/8-16	22	43	42.8	11.43
1/2	27	26	35	7/16-14	23.3	49	53.9	17.42
9/16	30	26.5	40	1/2-13	27	52.5	54.7	22.56
5/8	33	28.5	40	1/2-13	28	57.5	59.2	24.84
3/4	34.5	32	42	9/16-12	34	61	68.7	36.53
7/8	41	37	46	5/8-11	38	71	78	53.23
1	45.5	42	55	5/8-11	43	77.5	87.5	68.32

FF-C-450 Type 1 Class 1

Size in	A	B	C	D	E	F	G	100/WT kg
1/8	12	20	11	7/32	10	23	18	2.3
3/16	15	23	14	1/4	12	29	24	4
1/4	19	30	15	5/16	16	36	26	8
5/16	22	33	19	3/8	18	43	35	14
3/8	25	41	19	7/16	23	49	38	19
7/16	30	46	25	1/2	26	58	47	31.2
1/2	30	48	25	1/2	28	58	47	34
9/16	33	52	32	9/16	31	63	57	45
5/8	33	52	32	9/16	34	63	60	45
3/4	38	57	36	5/8	35	72	70	68
7/8	44	62	41	3/4	40	80	79	109
1	47	66	46	3/4	45	88	89	113
11/8	51	71	54	3/4	48	91	98	131
11/4	59	80	54	7/8	56	105	108	195
13/8	60	80	59	7/8	59	106	118	209
11/2	66	87	60	7/8	62	113	125	245
15/8	70	92	66	1	68	121	135	318

DIN 741 galv. malleable wire rope clips 德制DIN741卡头

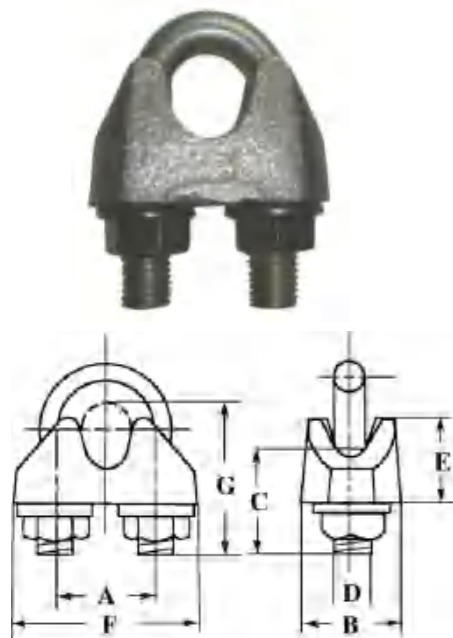
DIN741



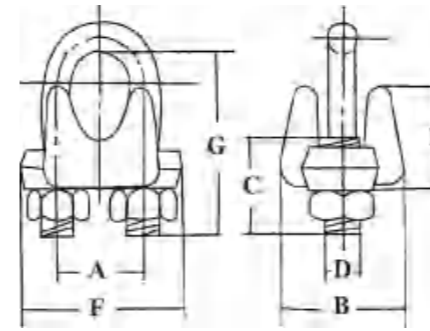
Size		A	B	C	D	E	F	G	100/WT kg
mm	in								
3	1/8	9	10	12	4	10	21	16	1.4
5	3/16	11	11	13	5	10	23	19	1.5
6.5	1/4	13	12	15	5	11	26	23	2.1
8	5/16	16	14	19	6	15	30	28	4.1
10	3/8	19	18	22	8	17	34	34	6.8
11	7/16	20	19	22	8	18	36	36	7.2
13	1/2	24	23	30	10	21	42	45	13
14	9/16	25	23	30	10	22	44	47	13.5
16	5/8	29	26	33	12	26	50	51	21
19	3/4	32	29	38	12	30	54	63	28
22	7/8	37	33	44	14	34	61	71	40
26	1	41	35	45	14	37	65	81	44
30	11/8	48	37	50	16	43	74	94	66
34	11/4	52	42	55	16	50	80	104	85
40	11/2	58	45	60	16	55	88	124	104

DIN 1142 galv malleable wire rope clips 德制DIN1142卡头

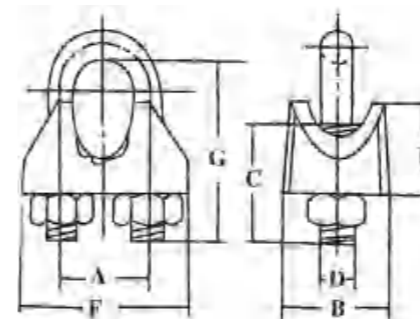
DIN 1142



Size mm	A	B	C	D	E	F	G	100/WT kg
5	12	13	13	5	13	25	20	2.08
6.5	14	16	17	6	14	30	26	4
8	18	20	20	8	18	39	33	8.2
10	20	20	24	8	21	40	38	9.2
13	17	28	30	12	29	55	52	27.5
16	32	32	35	14	35	64	64	43
19	36	32	36	14	40	68	69	49
22	40	34	40	16	44	74	80	68
26	46	38	50	20	51	84	91	117
30	54	41	55	20	59	95	107	140
34	60	45	60	22	67	105	119	213
40	68	49	65	24	77	117	135	268

Galv. malleable wire rope clips type A A型玛钢卡头


Size mm	A	B	C	D	E	F	G	100/WT kg
6	12	17	14	5	14	23	24	2.5
8	15	21	16	6	17	28	30	4.5
10	19	28	20	8	21	38	37	9
12	24	34	25	10	27	45	47	18
15	29	40	30	12	32	52	56	28
20	36	47	36	14	38	62	70	47
22	40	52	39	16	43	69	77	62
25	43	56	44	18	50	76	85	85
28	48	62	48	20	57	85	95	120
32	55	67	51	22	61	93	108	157
40	64	81	62	24	73	111	120	261
45	72	88	70	27	85	123	137	363
50	80	95	80	30	95	135	154	480

Galv. malleable wire rope clips type B B型玛钢卡头


Size mm	A	B	C	D	E	F	G	100/WT kg
1/8	9	12	12	4	9.5	19	20	1.17
3/16	11	13.5	14	5	10.8	22	26	1.7
1/4	12.5	15.5	14	6	11.5	25	26	2.53
5/16	12.5	18	16	6	16	31	31	3.8
3/8	21	22	20	8	20	40	37	7.93
1/2	25	25	24	10	26	47	46	14.4
5/8	30	28	28	12	31	55	57	23.08
11/16	33	28.5	30	12	35	58.5	64	26.8
3/4	36.5	31	34	16	36	65	71	44.3
7/8	40	36	38	16	43	72	77	57.1
1	45	40	44	20	48	80	88	88.43